



TIMBERWORLD
— ε —
JOINERY



2021 PRODUCT CATALOGUE
ARCHITECTURAL & CONSTRUCTION
GLASS FITTINGS

contents





CONTENTS

About Us	3
Shower Hinges	4
Shower Clamps	14
Handles, Knobs & Towel Rails	26
Metal Profiles	32
Seals	38
Stabilizers	46
Glass Shelf Clamps	50
Bathroom Locks	54
Bathroom Accessories	58
Sliding Showers	60
Balustrades	66
Patch Fittings	74
Shopfront Handles	82
Door Systems	84
Chemical Treatments	90

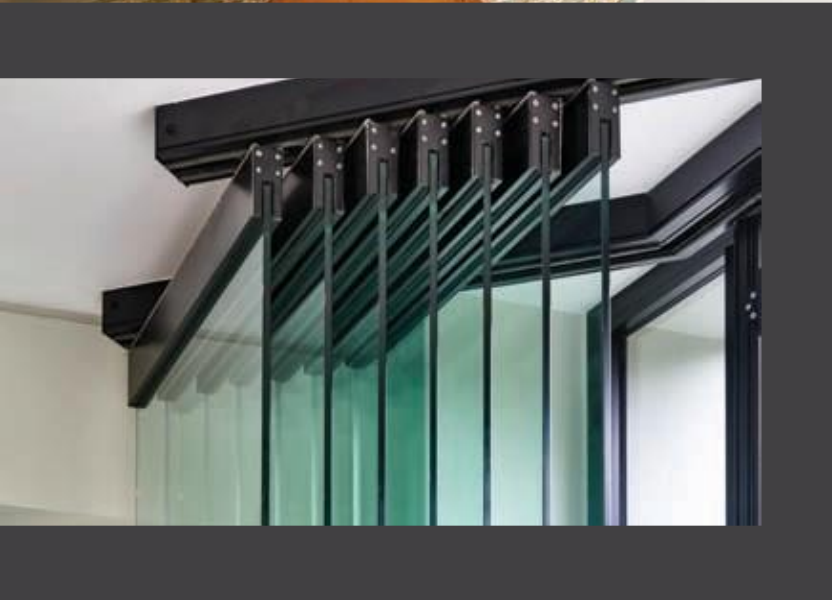


TIMBERWORLD
§
JOINERY

NOTE: The deductions, technical drawings and specifications in this catalogue are intended as guidelines only and might differ from the actual product supplied.

arema

LATEST PRODUCTS



about us

Since 2020, **TIMBERWORLD & JOINERY** has been at the cutting edge of architectural toughen glass & high quality hardware. With our extended range we can cover all aspects of this industry here in Namibia with top quality products at affordable prices. We provide turnkey solutions to our clients on any size project.

Our efforts are guided by the following three principles:



VALUE

Providing our customers with the products they need at a good price is just the beginning. By choosing to deal with us, our customers should receive extra value. To this end we offer technical support, training and software aimed at making the jobs of our customers easier.

SERVICE

Prompt delivery is not enough. By choosing to deal with us, our customers have earned a partner that goes the extra mile. In this spirit, we respond to our customers' needs irrespective of what we have in stock.



QUALITY

Reliability is a given. By choosing to deal with us, our customers deserve an attention to detail. That is why we worry about the small things like superior fixings and high grade gaskets.



shower hinges

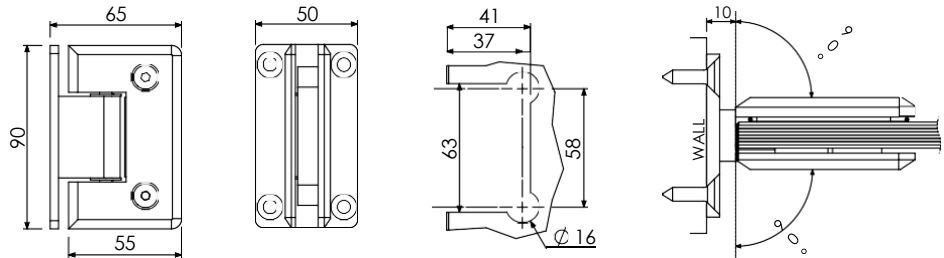


Our wide range of stylish hinges has been created to combine top-quality solutions with visually stunning designs. Choose a solution from our diverse and unique inventory.



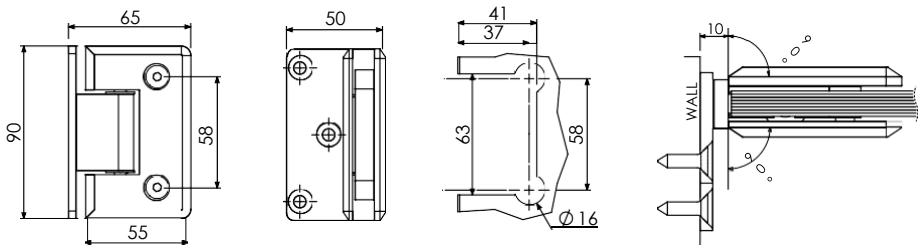
BEVEL 90° WALL TO GLASS HINGE - FULL PLATE

Code	Material	Finish	Weight	Glass Thickness
SDH-301-90**	Brass	Bright Chrome Plated	45 kg	6 -12mm
SDH-501-90	S/S 304	Bright Polished	45 kg	6 -12mm
SDH-701-90	Brass	Bright Chrome Plated	45 kg	6 -12mm



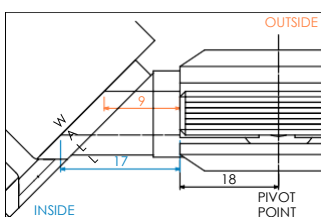
BEVEL 90° WALL TO GLASS HINGE - HALF PLATE

Code	Material	Finish	Weight	Glass Thickness
SDH-301-90HP**	Brass	Bright Chrome Plated	45 kg	6-12mm
SDH-501-90HP	S/S 304	Bright Polished	45 kg	6-12mm
SDH-711-90HP*	Brass	Satin Chrome	45 kg	6-12mm
SDH-791-90HP	Brass	Matte	45 kg	6-12mm

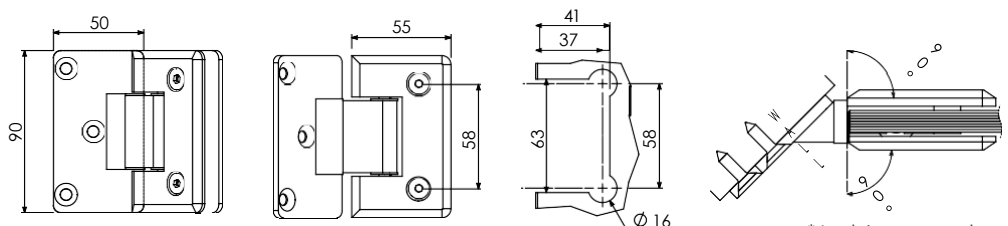


BEVEL 135° WALL TO GLASS HINGE

Code	Material	Finish	Weight	Glass Thickness
SDH-701-135	l	Bright Chrome	t	6 -12mm



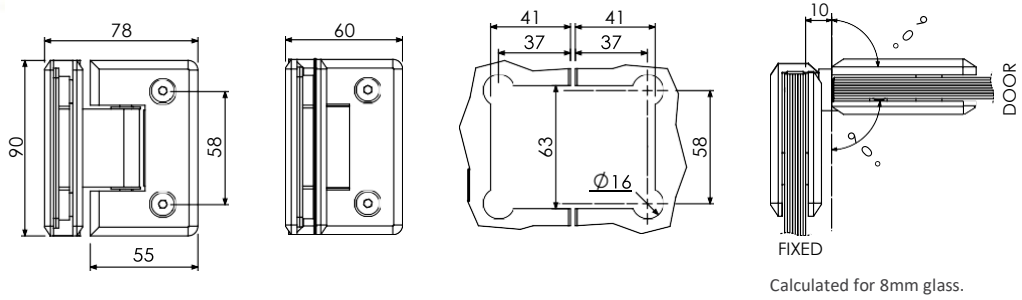
Calculated for 8mm glass.



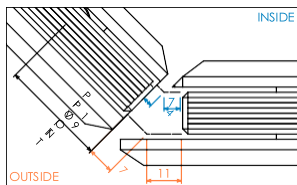
* Lead times may apply.
** Adjustable Series.



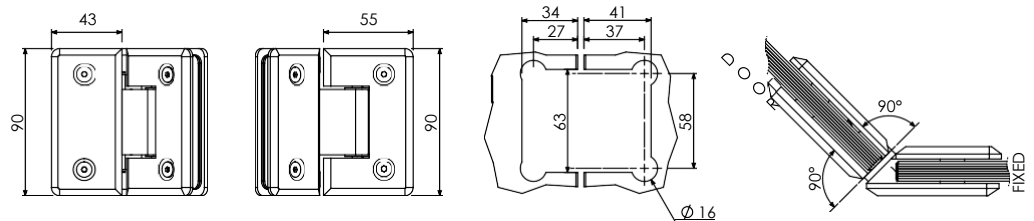
BEVEL 90° GLASS TO GLASS HINGE				
Code	Material	Finish	Weight	Glass Thickness
SDH-502-90	S/S 304	Bright Polished	45 kg	6 -12mm
SDH-702-90	Brass	Bright Chrome Plated	45 kg	6 -12mm



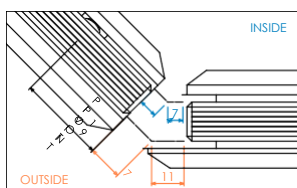
BEVEL 135° GLASS TO GLASS HINGE (UNEQUAL CUT)				
Code	Material	Finish	Weight	Glass Thickness
SDH-502-135	S/S 304	Bright	45 kg	6 -12mm
SDH-702-135	Brass	Bright Chrome	45 kg	6 -12mm
SDH-712-135*	Brass	Satin Chrome	45 kg	6 -12mm
SDH-792-135	Brass	Matte	45 kg	6 -12mm



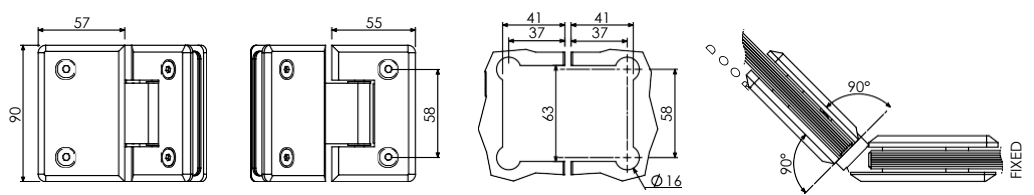
Calculated for 8mm glass.



BEVEL 135° GLASS TO GLASS HINGE (EQUAL CUT)				
Cod	Material	Finish	Weight	Glass Thickness
SDH-502-135EC	S/S 304	Bright	45 kg	6 -12mm
SDH-702-135EC*	Brass	Bright Chrome	45 kg	6 -12mm



Calculated for 8mm glass.

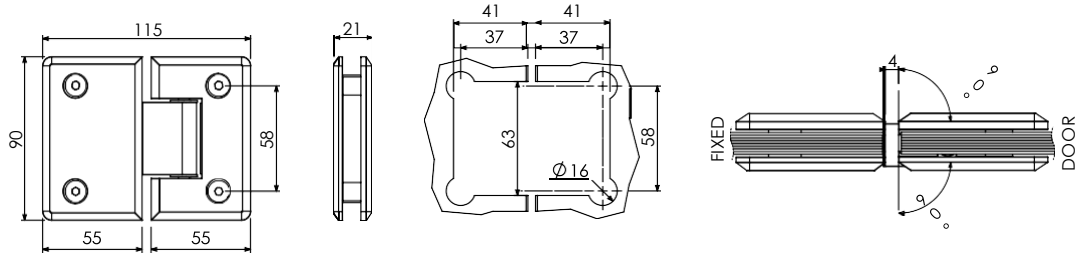


* Lead times may apply.



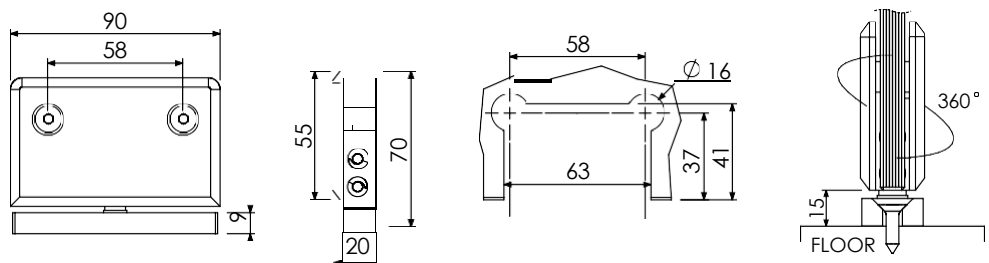
BEVEL 180° GLASS TO GLASS HINGE

Code	Material	Finish	Weight	Glass Thickness
SDH-302-180**	Brass	Bright Chrome Plated	45 kg	6 -12mm
SDH-502-180	S/S 304	Bright Polished	45 kg	6 -12mm
SDH-702-180	Brass	Bright Chrome Plated	45 kg	6 -12mm
SDH-712-180*	Brass	Satin Chrome Plated	45 kg	6 -12mm
SDH-792-180	Brass	Matte Black	45 kg	6 -12mm



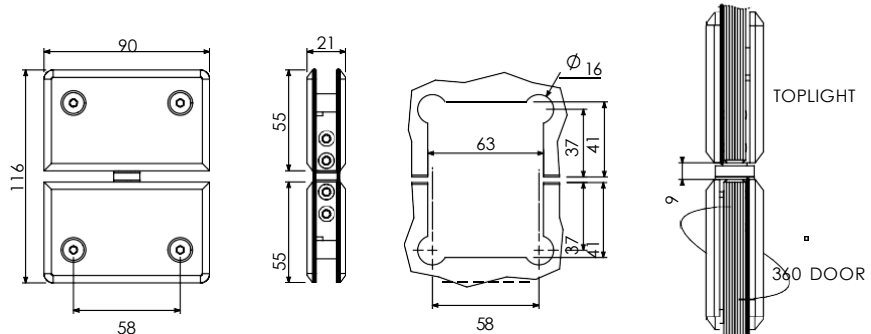
BEVEL 360° GLASS TO WALL PIVOT

Code	Material	Finish	Weight	Glass Thickness
SDH-704-360		Bright Chrome	t	6 -12mm



BEVEL 360° GLASS TO GLASS PIVOT HINGE

Code	Material	Finish	Weight	Glass Thickness
SDH-708-360		Bright Chrome	t	6 -12mm



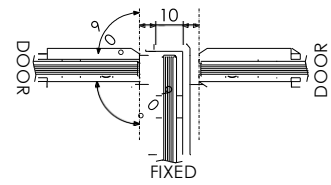
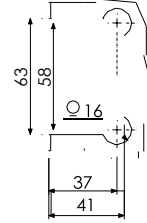
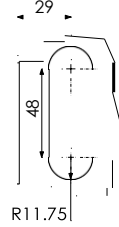
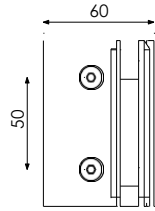
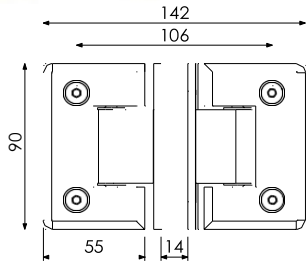
* Lead times may apply.

** Adjustable Series.



BEVEL GLASS TO GLASS TEE HINGE 90°

Code	Material	Finish	Weight	Glass Thickness
H100T		Bright Chrome		6 -12mm



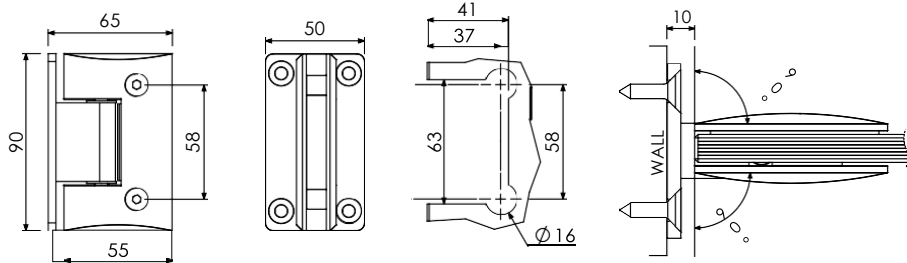
Calculated for 8mm glass.





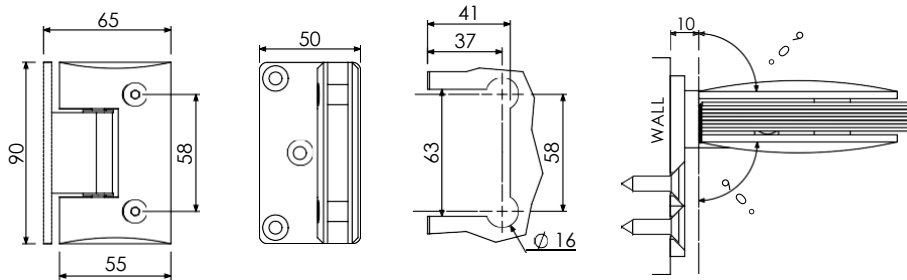
DOME 90° WALL TO GLASS HINGE - FULL PLATE

Code	Materia	Finish	Weigh	Glass Thickness
SDH-801-90		Bright Chrome	t	6 -12mm



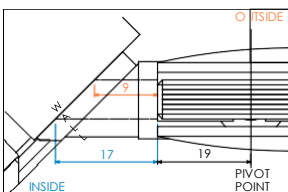
DOME 90° WALL TO GLASS HINGE - HALF

Code	Materia	Finish	Weigh	Glass Thickness
SDH-801-90HP	I Brass	Bright Chrome	t	6-12mm
SDH-811-90HP	Brass	Plated	45 kg	6-12mm
SDH-901-90HP	Zinc	Satin Chrome	45 kg	6-10mm

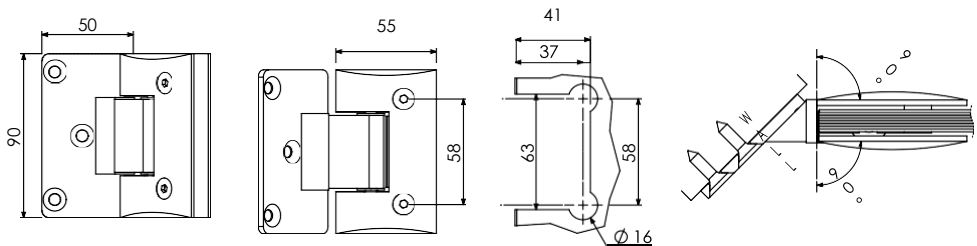


DOME 135° WALL TO GLASS

Code	Materia	Finish	Weigh	Glass Thickness
SDH-801-135		Bright Chrome	t	6 -12mm

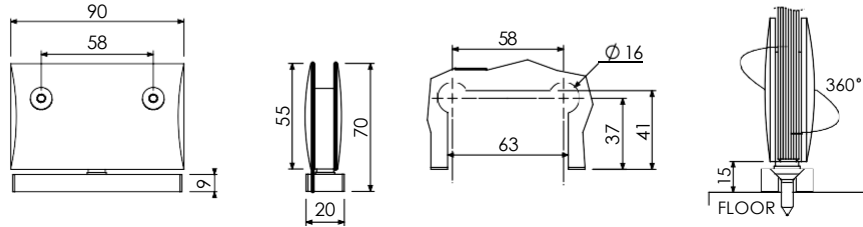


Calculated for 8mm glass.

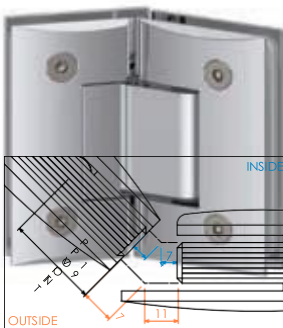
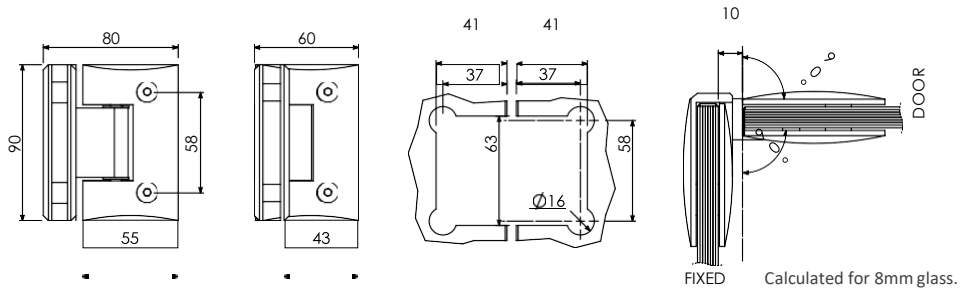




DOME 360° GLASS TO WALL PIVOT HINGE				
Code	Material	Finish	Weight	Glass Thickness
SDH-801-360	Brass	Bright Chrome Plated	45 kg	6-12mm
SDH-811-360	Brass	Satin Chrome Plated	45 kg	6-12mm



DOME 90° GLASS TO GLASS				
Code	Material	Finish	Weight	Glass Thickness
SDH-802-90	Brass	Bright Chrome	45 kg	6-12mm
SDH-802-90A	Brass	Plated Bright	45 kg	6-12mm
SDH-812-90	Brass	Chrome Plated	45 kg	6-12mm
SDH-902-90	Zinc	Satin Chrome	45 kg	6-10mm



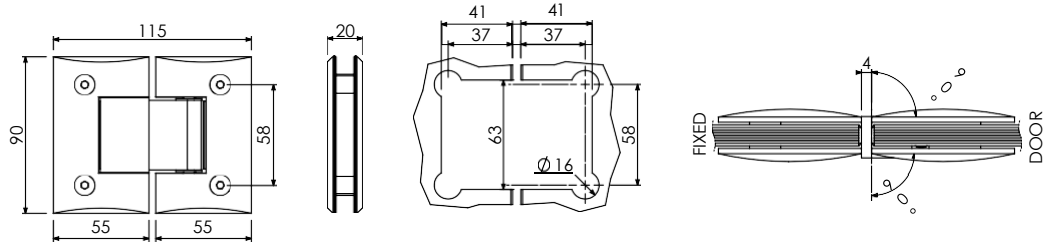
DOME 135° GLASS TO GLASS				
Code	Material	Finish	Weight	Glass Thickness
SDH-802-135	Brass	Bright Chrome	45 kg	6-12mm
SDH-802-135A	Brass	Plated Bright	45 kg	6-12mm
SDH-812-135	Brass	Chrome Plated	45 kg	6-12mm
SDH-902-135	Zinc	Satin Chrome	45 kg	6-12mm

Calculated for 8mm glass.



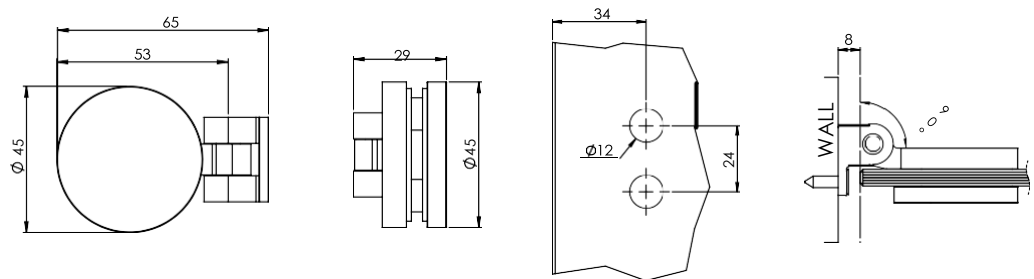
DOME 180° GLASS TO GLASS HINGE

Code	Material	Finish	Weight	Glass Thickness
SDH-802-180	Brass	Bright Chrome Plated	45 kg	6 -12mm
SDH-812-180	Brass	Satin Chrome Plated	45 kg	6 -12mm
SDH-902-180	Zinc	Bright Chrome Plated	35 kg	6 -10mm



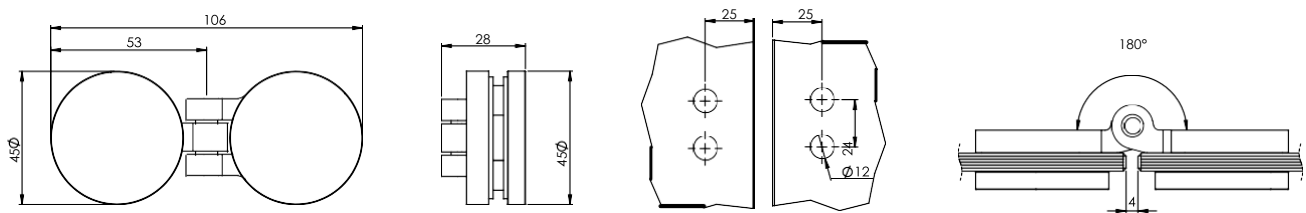
DIOSA 90° WALL TO GLASS

Code	Material	Finish	Weight	Glass Thickness
OXB-746	Brass	Bright Chrome	45 kg	6 - 8mm



DIOSA 180° GLASS TO GLASS HINGE

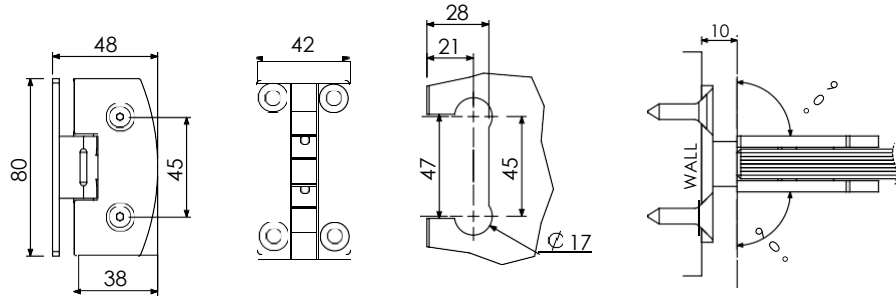
Code	Material	Finish	Weight	Glass Thickness
OXB-745	Brass	Bright Chrome Plated	25 kg	6 - 8mm





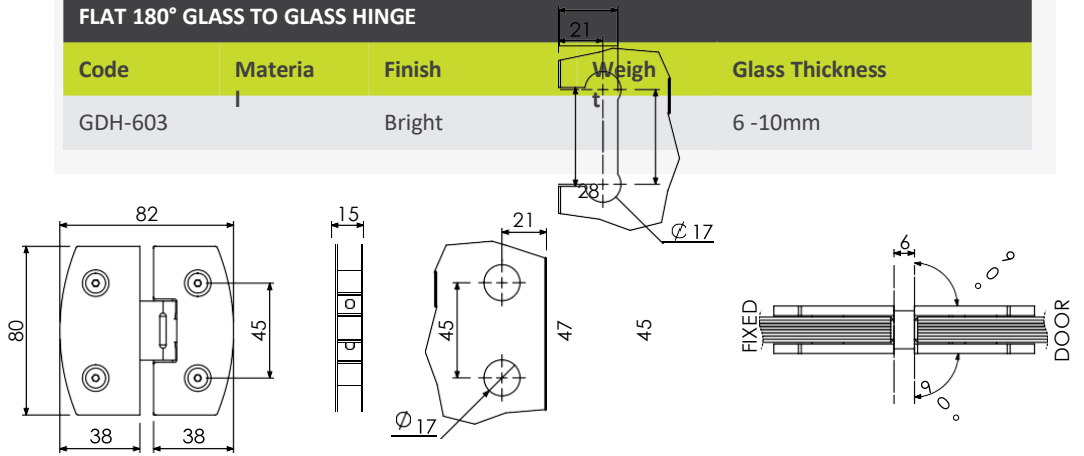
FLAT 90° WALL TO GLASS HINGE - FULL PLATE

Code	Material	Finish	Weight	Glass Thickness
GDH-602		Bright		6 -10mm



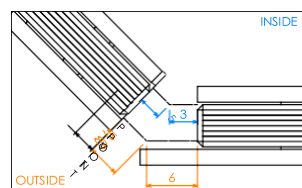
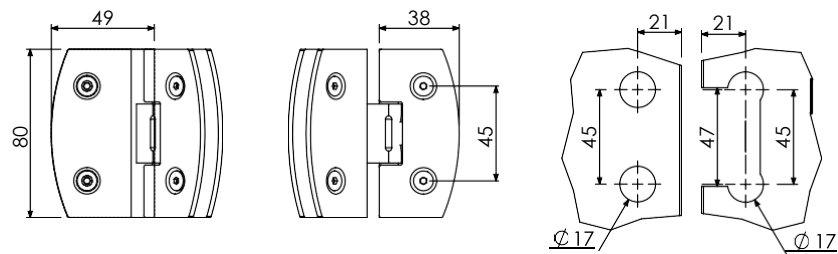
FLAT 180° GLASS TO GLASS HINGE

Code	Material	Finish	Weight	Glass Thickness
GDH-603		Bright		6 -10mm

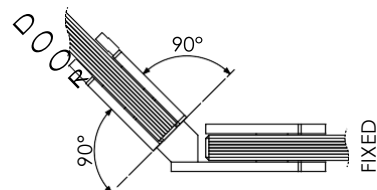


FLAT 135° GLASS TO GLASS HINGE

Code	Material	Finish	Weight	Glass Thickness
GDH-604		Bright		6 -10mm



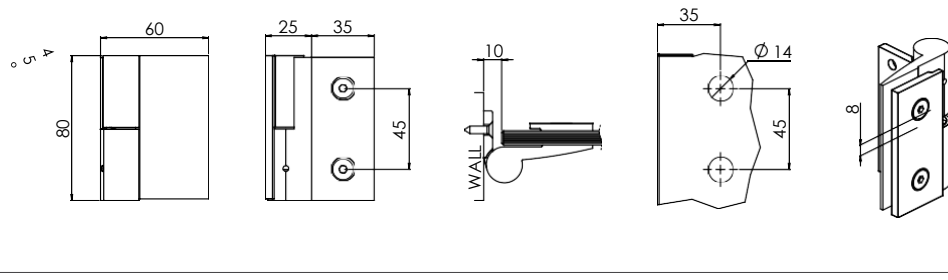
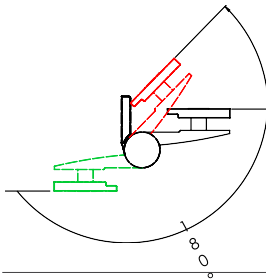
Calculated for 6mm glass.





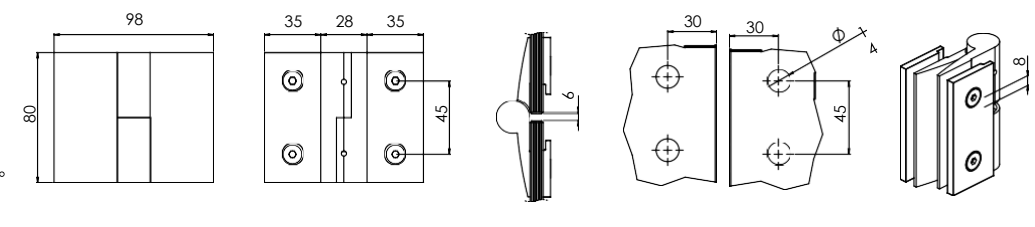
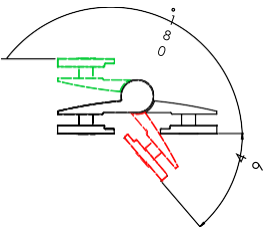
MONZA 90° WALL TO GLASS SELF RISING HINGES

Code	Material	Finish	Weight	Glass Thickness
STM-WGH-90L	Brass	Bright Chrome Plated	45 kg	6 -12mm
STM-WGH-90R	Brass	Bright Chrome Plated	45 kg	6 -12mm
MWGH-90LMB	Brass	Matte Black	45 kg	6 -12mm
MWGH-90RMB	Brass	Matte Black	45 kg	6 -12mm

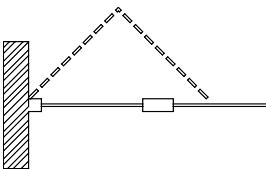


MONZA 180° GLASS TO GLASS SELF RISING HINGES

Cod	Materia	Finish	Weigh	Glass Thickness
STM-GGH-180L	Brass	Bright Chrome	45 kg	6-12mm
STM-GGH-180R	Brass	Bright Chrome	45 kg	6-12mm
MGGH-180LMB	Brass	Matte Black	45 kg	6-12mm
	Brass		45 kg	6-12mm



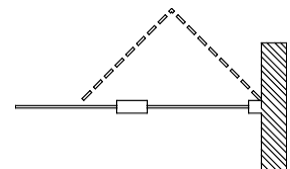
LEFT WALL (OPENING INWARDS) RIGHT WALL (OPENING INWARDS)



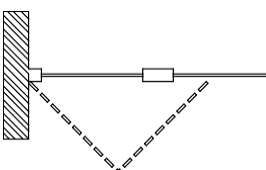
STM-WGH-90R STM-GGH-180L



STM-GGH-180R STM-WGH-90L



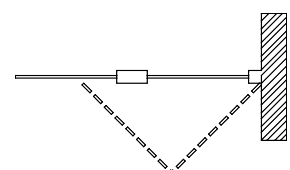
LEFT WALL (OPENING OUTWARDS) RIGHT WALL (OPENING OUTWARDS)



STM-WGH-90L STM-GGH-180R



STM-GGH-180L STM-WGH-90R



A photograph of a modern glass shower enclosure with a black frame. The shower is set in a bathroom with light-colored tiled walls and a white toilet visible in the lower right corner. The text 'shower clamps' is overlaid in large white font.

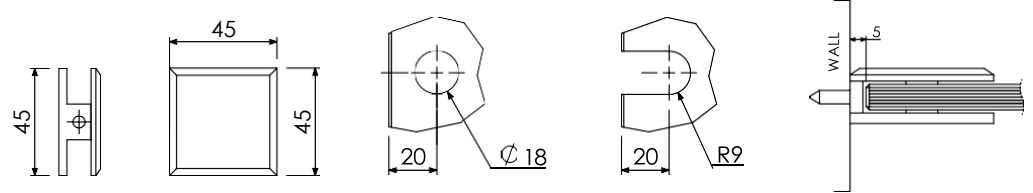
shower clamps

Our insistence on strength and durability is clearly evident in the various clamps that we offer. Choose from a broad range that caters for all clamping options.



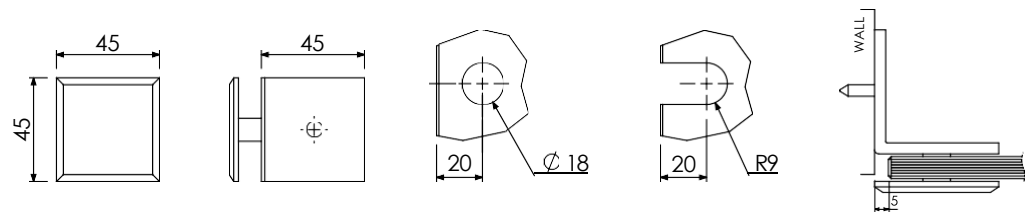
BEVEL 90° (U-CLAMP) WALL TO GLASS SINGLE FIX CLAMP

Code	Material	Finish	Glass Thickness
GC-401	S/S 304	Bright Polished	6 -12mm
GC-791	Brass	Matte Black	6 -12mm



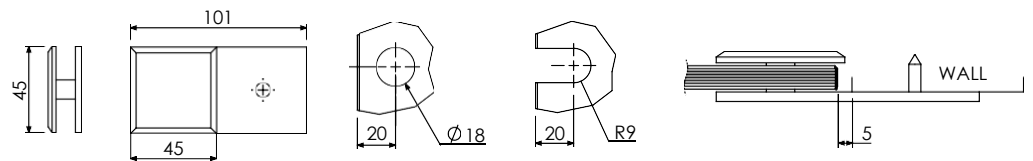
BEVEL 90° (L-CLAMP) WALL TO GLASS CLAMP

Code	Material	Finish	Glass Thickness
GC-402	S/S 304	Bright Polished	6 -12mm
GC-792	Brass	Matte Black	6 -12mm



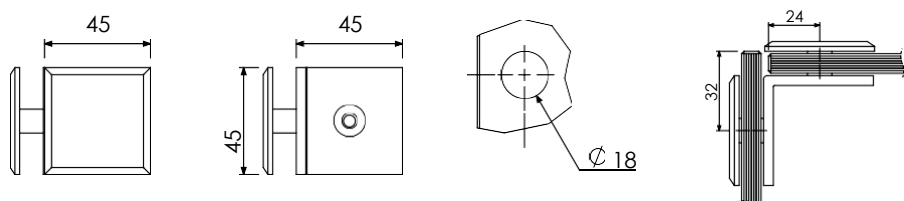
BEVEL 180° WALL TO GLASS CLAMP

Code	Material	Finish	Glass Thickness
GC-403	S/S 304	Bright Polished	6 -12mm



BEVEL 90° GLASS TO GLASS CLAMP

Code	Material	Finish	Glass Thickness
GC-404	S/S 304	Bright Polished	6 -12mm
GC-794	Brass	Matte Black	6 -12mm

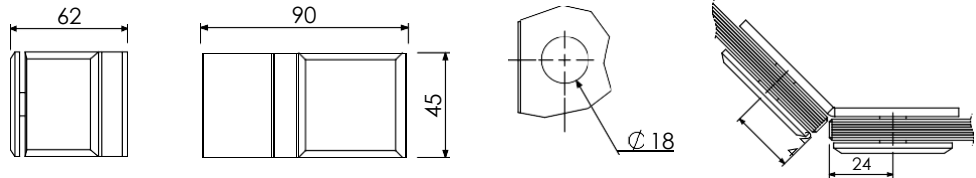


Calculated for 8mm glass.



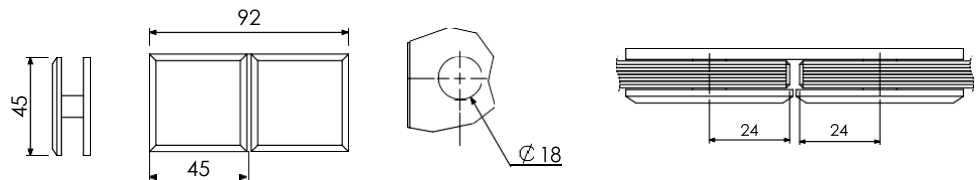
BEVEL 135° GLASS TO GLASS CLAMP

Code	Material	Finish	Glass Thickness
GC-405	S/S 304	Bright Polished	6 -12mm
GC-795	Brass	Matte Black	6 -12mm



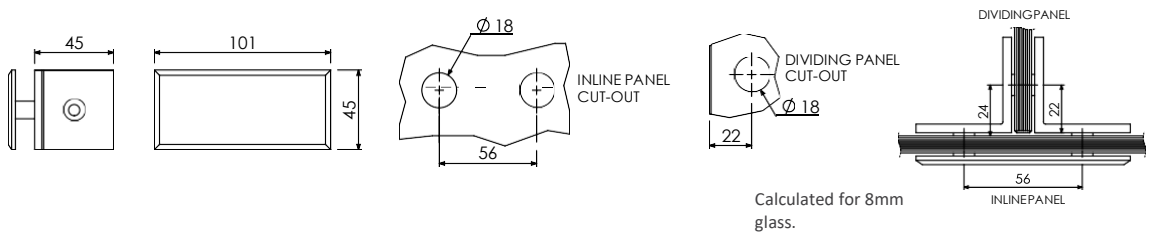
BEVEL 180° GLASS TO GLASS CLAMP

Code	Material	Finish	Glass Thickness
GC-406	S/S 304	Bright Polished	6 -12mm
GC-796	Brass	Matte Black	6 -12mm



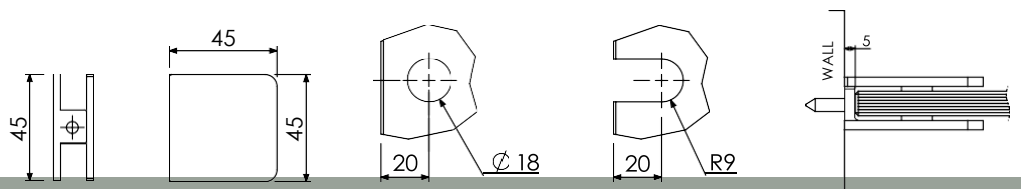
BEVEL 90° GLASS TO GLASS TEE CLAMP

Code	Material	Finish	Glass Thickness
GC-407	S/S 304	Bright Polished	6 -12mm



FLAT 90° (U-CLAMP) WALL TO GLASS SINGLE FIX CLAMP

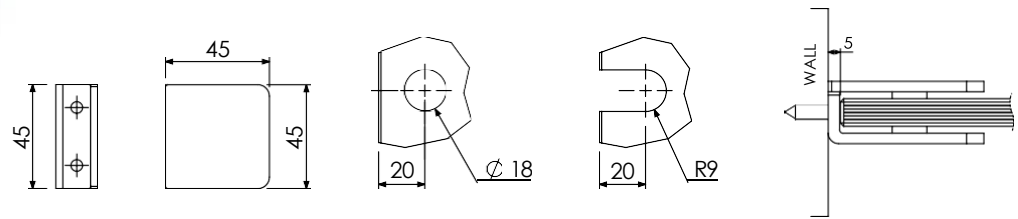
Code	Material	Finish	Glass Thickness
GC-501	S/S 304	Bright Polished	6 -10mm





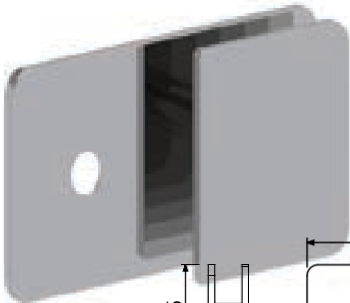
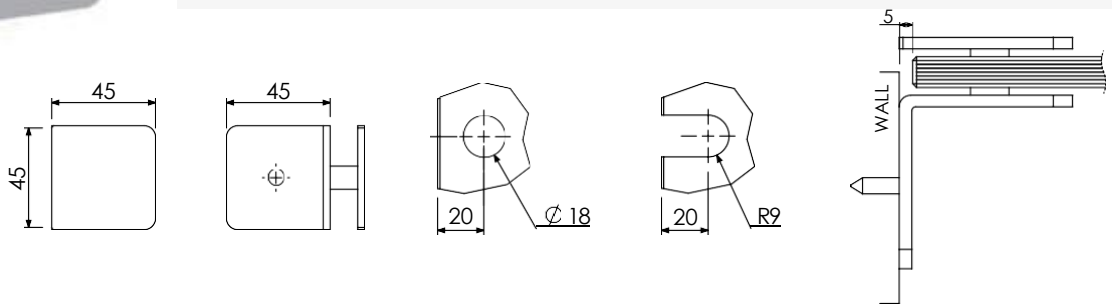
FLAT 90° (U-CLAMP) WALL TO GLASS DOUBLE FIX CLAMP

Code	Material	Finish	Glass Thickness
GC-501-D	S/S 304	Bright Polished	6 -10mm



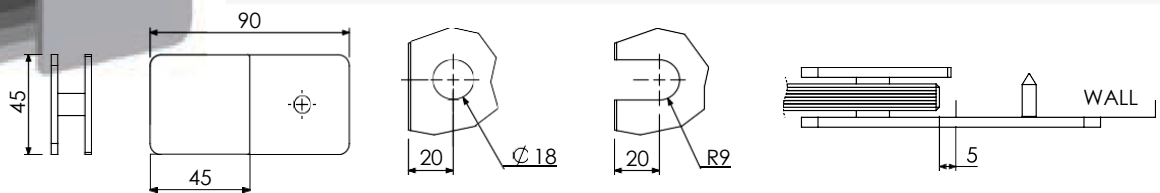
FLAT 90° (L-CLAMP) WALL TO GLASS CLAMP

Cod	Materia	Finish	Glass Thickness
GC-502	S/S 304	Bright	6-10mm



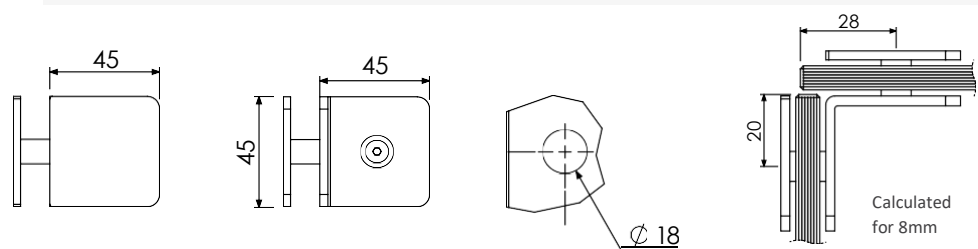
FLAT 180° WALL TO GLASS CLAMP

Code	Materia	Finish	Glass Thickness
GC-503		Bright	6 -10mm



FLAT 90° GLASS TO GLASS CLAMP

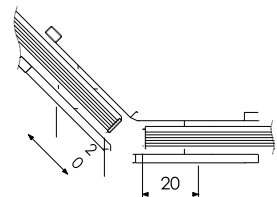
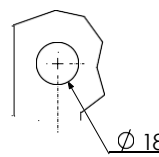
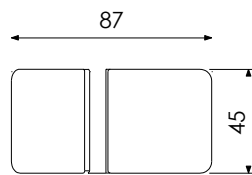
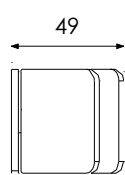
Code	Materia	Finish	Glass Thickness
GC-504		Bright	6 -10mm





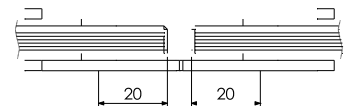
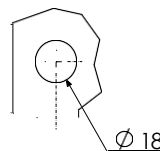
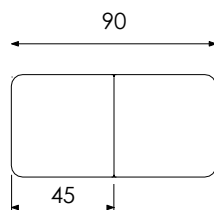
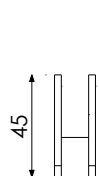
FLAT 135° GLASS TO GLASS CLAMP

Code	Material	Finish	Glass Thickness
GC-505		Bright	6 -10mm



FLAT 180° GLASS TO GLASS CLAMP

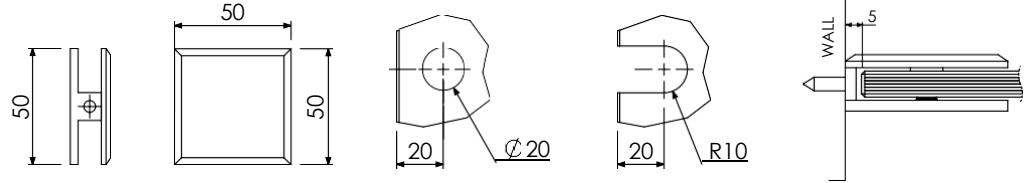
Cod	Material	Finish	Glass Thickness
GC-506	S/S 304	Bright	6-10mm





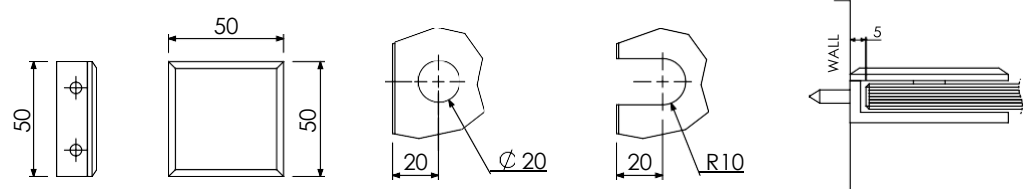
BEVEL 90° (U-CLAMP) WALL TO GLASS SINGLE FIX CLAMP

Code	Material	Finish	Glass Thickness
GC-701	Brass	Bright Chrome Plated	6 -12mm
GC-711*	Brass	Satin Chrome Plated	6 -12mm



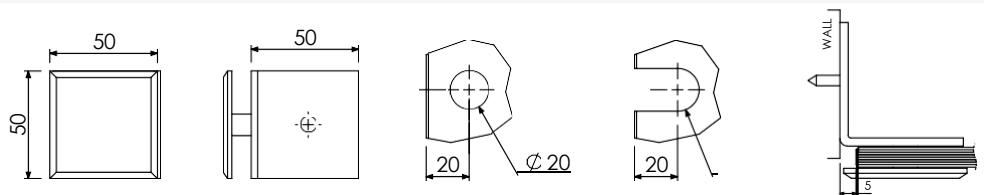
BEVEL 90° (U-CLAMP) WALL TO GLASS DOUBLE FIX CLAMP

Code	Material	Finish	Glass Thickness
GC-701-D	Brass	Bright Chrome	6-12mm
GC-711-D*		Plated Satin	6-12mm



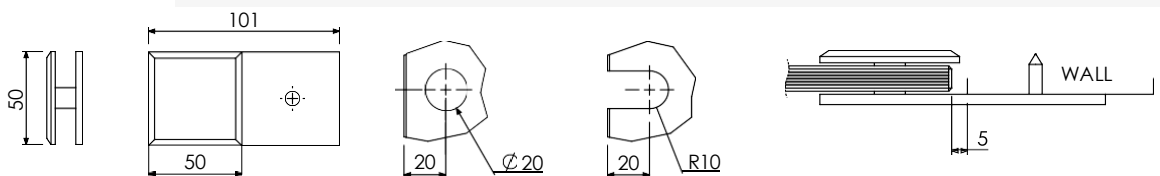
BEVEL 90° (L-CLAMP) WALL TO GLASS CLAMP

Code	Material	Finish	Glass Thickness
GC-702	Brass	Bright Chrome Plated	6 -12mm
GC-712*	Brass	Satin Chrome Plated	6 -12mm



BEVEL 180° WALL TO GLASS CLAMP

Code	Material	Finish	Glass Thickness
GC-703	Brass	Bright Chrome Plated	6 -12mm
GC-713*	Brass	Satin Chrome Plated	6 -12mm

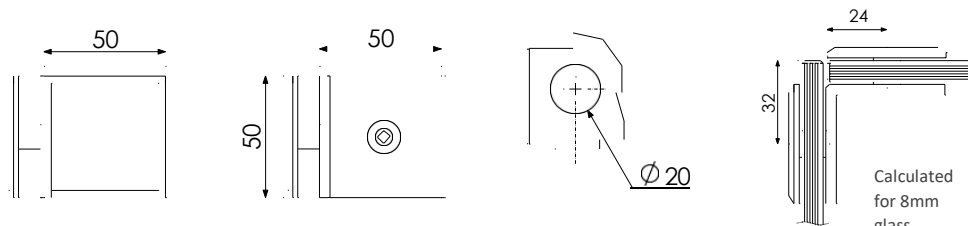


* Lead times may apply.



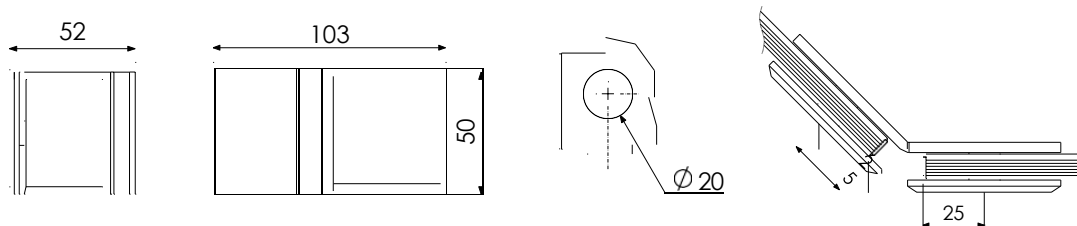
BEVEL 90° GLASS TO GLASS CLAMP

Code	Material	Finish	Glass Thickness
GC-704	Brass	Bright Chrome Plated	6 -12mm
GC-714*	Brass	Satin Chrome Plated	6 -12mm



BEVEL 135° GLASS TO GLASS CLAMP

Code	Material	Finish	Glass Thickness
GC-705	Brass	Bright Chrome	6 -12mm

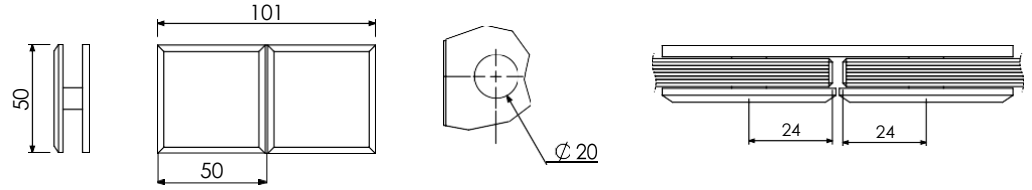


* Lead times may apply.



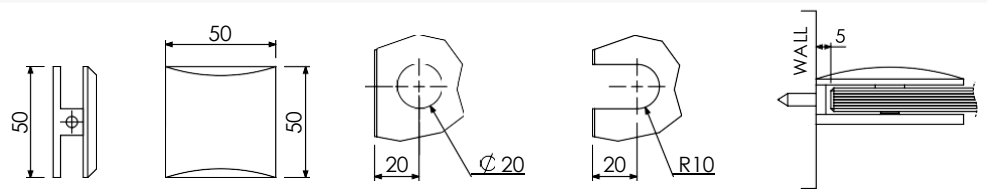
BEVEL 180° GLASS TO GLASS CLAMP

Code	Material	Finish	Glass Thickness
GC-706	Brass	Bright Chrome Plated	6 -12mm
GC-716*	Brass	Satin Chrome Plated	6 -12mm



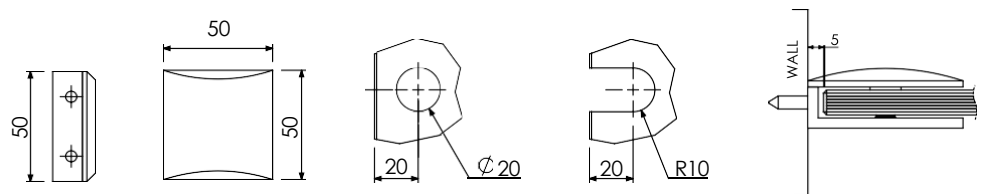
DOME 90° (U-CLAMP) WALL TO GLASS SINGLE FIX CLAMP

Code	Material	Finish	Glass Thickness
GC-801	Brass	Bright Chrome Plated	6 -12mm
GC-811	Brass	Satin Chrome Plated	6 -12mm



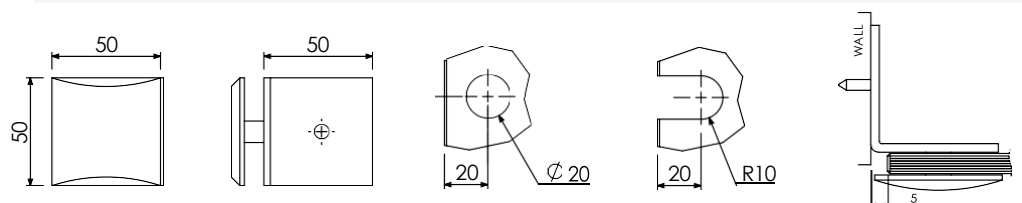
DOME 90° (U-CLAMP) WALL TO GLASS DOUBLE FIX

Code	Material	Finish	Glass Thickness
GC-801-D	Brass	Bright Chrome	6 -12mm



DOME 90° (L-CLAMP) WALL TO GLASS CLAMP

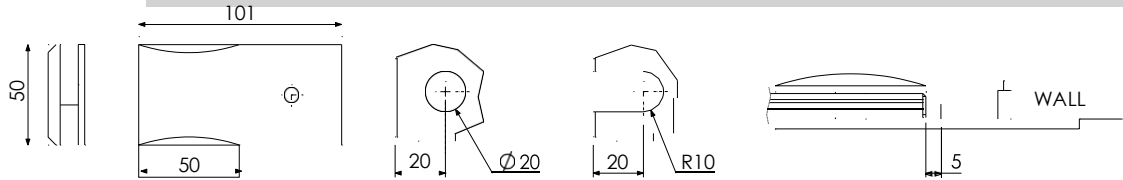
Code	Material	Finish	Glass Thickness
GC-802	Brass	Bright Chrome Plated	6 -12mm
GC-812	Brass	Satin Chrome Plated	6 -12mm



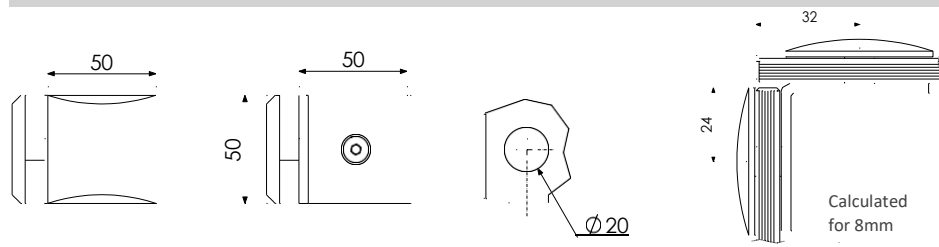
* Lead times may apply.



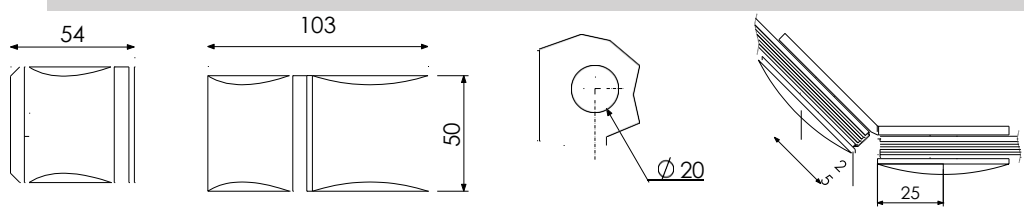
DOME 180° WALL TO GLASS CLAMP			
Code	Material	Finish	Glass Thickness
GC-803	Brass	Bright Chrome Plated	6 -12mm
GC-813	Brass	Satin Chrome Plated	6 -12mm



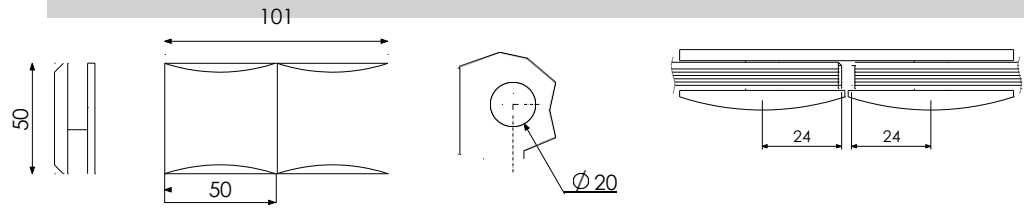
DOME 90° GLASS TO GLASS CLAMP			
Code	Material	Finish	Glass Thickness
GC-804	Brass	Bright Chrome Plated	6 -12mm
GC-814	Brass	Satin Chrome Plated	6 -12mm



DOME 135° GLASS TO GLASS CLAMP			
Code	Material	Finish	Glass Thickness
GC-805	Brass	Bright Chrome Plated	6 -12mm
GC-815	Brass	Satin Chrome Plated	6 -12mm



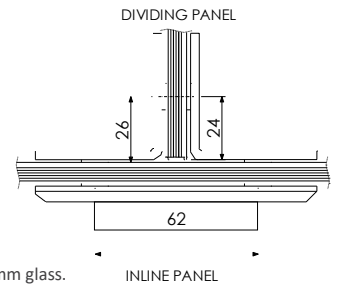
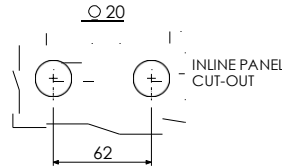
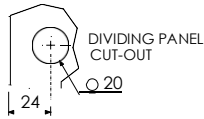
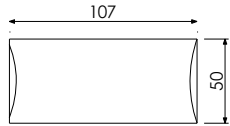
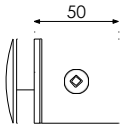
DOME 180° GLASS TO GLASS CLAMP			
Code	Material	Finish	Glass Thickness
GC-806	Brass	Bright Chrome Plated	6 -12mm
GC-816	Brass	Satin Chrome Plated	6 -12mm





DOMED 90° GLASS TO GLASS TEE CLAMP

Code	Material	Finish	Glass Thickness
GC-807	Brass	Bright Chrome Plated	6 -12mm
GC-817	Brass	Satin Chrome Plated	6 -12mm

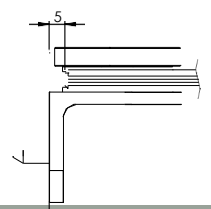
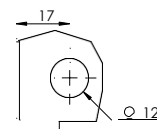
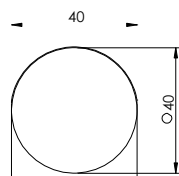
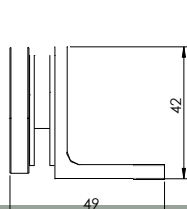


Calculated for 8mm glass.



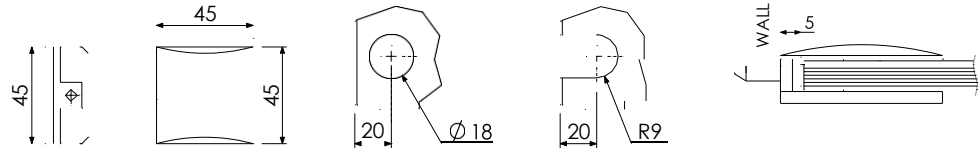
DIOSA 90° (L-CLAMP) WALL TO GLASS CLAMP

Code	Material	Finish	Glass Thickness
OXB-747	Brass	Bright Chrome Plated	6 -8mm

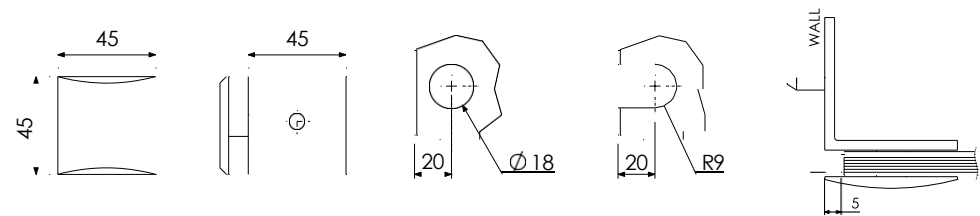




DOME 90° (U-CLAMP) WALL TO GLASS SINGLE FIX CLAMP			
Code	Material	Finish	Glass Thickness
GC-901	Zinc	Bright Chrome Plated	6 -10mm



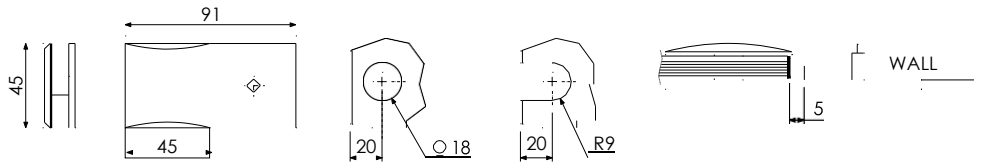
DOME 90° (L-CLAMP) WALL TO GLASS			
Cod	Materia	Finish	Glass Thickness
GC-902	Zinc	Bright Chrome	6-10mm





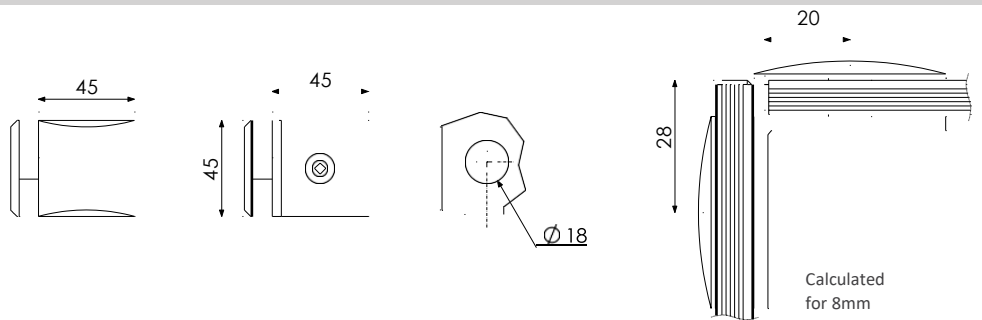
DOME 180° WALL TO GLASS CLAMP

Code	Material	Finish	Glass Thickness
GC-903	Zinc	Bright Chrome Plated	6 -10mm



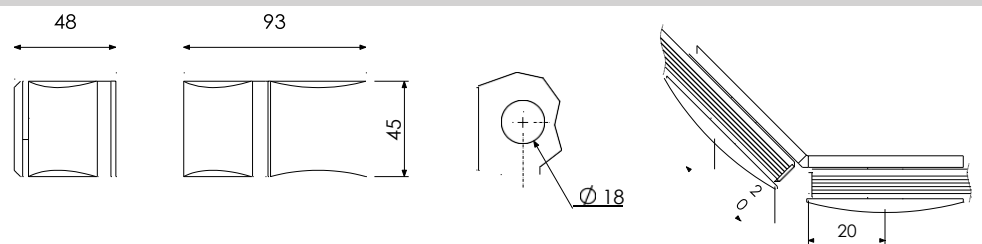
DOME 90° GLASS TO GLASS

Code	Material	Finish	Glass Thickness
GC-904	Zinc	Bright Chrome	6 -10mm



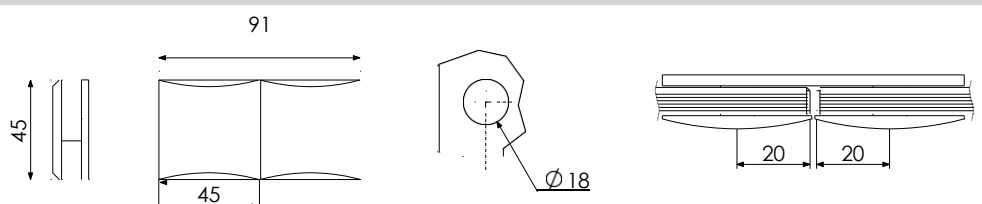
DOME 135° GLASS TO GLASS

Code	Material	Finish	Glass Thickness
GC-905	Zinc	Bright Chrome	6 -10mm



DOME 180° GLASS TO GLASS

Code	Material	Finish	Glass Thickness
GC-906	Zinc	Bright Chrome	6 -10mm



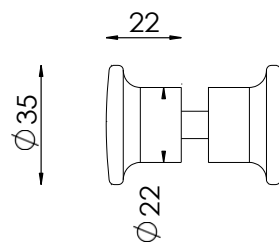
handles knobs towel rails

Precisely crafted and perfectly finished, Timberworld's handles and knobs are durable under frequent use, offering ease of grip and hygienic design. Each item in the range reflects the cutting edge style of all other Timberworld products.



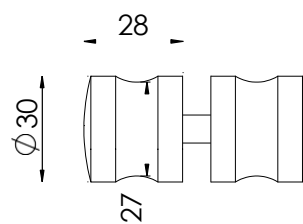
BACK TO BACK MUSHROOM KNOB

Code	Material	Finish
DK-201	Brass	Bright Chrome Plated
DK-201A	Aluminium	Bright Chrome Plated
DK-211	Brass	Satin Chrome Plated
DK-291A	Aluminium	Matte Black
DK-501	S/S 304	Bright Polished



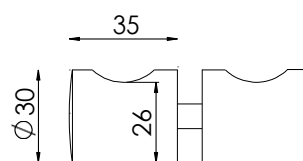
BACK TO BACK SMALL GROOVE KNOB

Code	Material	Finish
DK-204A	Aluminium	Bright Chrome Plated
DK-214	Brass	Satin Chrome Plated
DK-504	S/S 304	Bright Polished



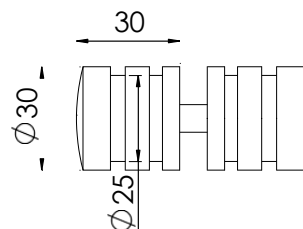
BACK TO BACK FINGER GROOVE KNOB

Code	Material	Finish
DK-205A	Aluminium	Bright Chrome Plated



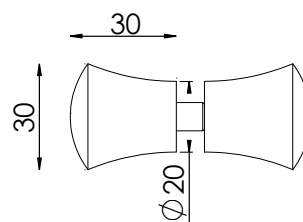
BACK TO BACK DOUBLE GROOVE KNOB

Code	Material	Finish
DK-209A	Aluminium	Bright Chrome Plated



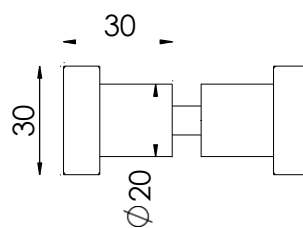
BACK TO BACK TAPERED KNOB

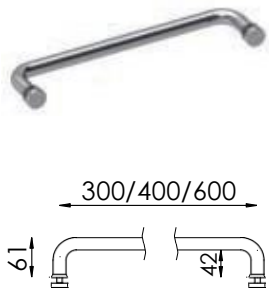
Code	Material	Finish
DK-215A	Aluminium	Bright Chrome Plated



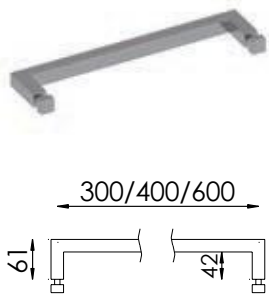
BACK TO BACK SQUARE KNOB

Code	Material	Finish
DK-232	Brass	Bright Chrome Plated
DK-232A	Aluminium	Bright Chrome Plated
DK-292A	Aluminium	Matte Black

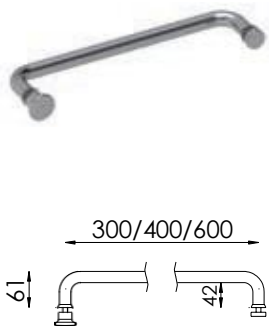




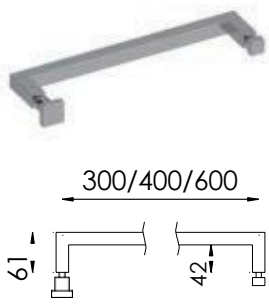
TOWEL RAIL WITH FINNIALS					
Code	CTC of Holes	Hole Size	Tube Size	Material	Finish
BH-030	300mm	14 \emptyset	19 \emptyset	S/S 304	Bright Polished
BH-040	400mm	14 \emptyset	19 \emptyset	S/S 304	Bright Polished
BH-060	600mm	14 \emptyset	19 \emptyset	S/S 304	Bright Polished
BH-930	300mm	14 \emptyset	19 \emptyset	S/S 304	Matte Black
BH-940	400mm	14 \emptyset	19 \emptyset	S/S 304	Matte Black
BH-960	600mm	14 \emptyset	19 \emptyset	S/S 304	Matte Black



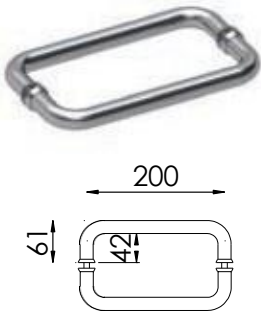
SQUARE TOWEL RAIL WITH FINNIALS					
Code	CTC of Holes	Hole Size	Tube Size	Material	Finish
SH-0300	300mm	14 \emptyset	19mm	S/S 304	Bright Polished
SH-0400	400mm	14 \emptyset	19mm	S/S 304	Bright Polished
SH-0600	600mm	14 \emptyset	19mm	S/S 304	Bright Polished
SH-9400	400mm	14 \emptyset	19mm	S/S 304	Matte Black
SH-9600	600mm	14 \emptyset	19mm	S/S 304	Matte Black



TOWEL RAIL WITH BACK KNOB					
Code	CTC of Holes	Hole Size	Tube Size	Material	Finish
DK-201-H300	300mm	14 \emptyset	19 \emptyset	S/S 304	Bright Polished
DK-201-H400	400mm	14 \emptyset	19 \emptyset	S/S 304	Bright Polished
DK-211-H400	400mm	14 \emptyset	19 \emptyset	S/S 304	Brushed
DK-201-H600	600mm	14 \emptyset	19 \emptyset	S/S 304	Bright Polished
DK-291-H300	300mm	14 \emptyset	19 \emptyset	S/S 304	Matte Black
DK-291-H400	400mm	14 \emptyset	19 \emptyset	S/S 304	Matte Black
DK-291-H600	600mm	14 \emptyset	19 \emptyset	S/S 304	Matte Black

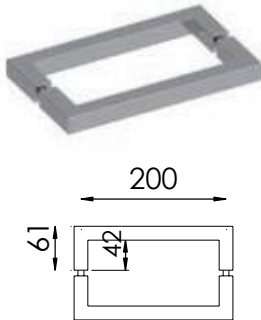


SQUARE TOWEL RAIL WITH BACK KNOB					
Code	CTC of Holes	Hole Size	Tube Size	Material	Finish
DK-232-H300	300mm	14 \emptyset	19mm	S/S 304	Bright Polished
DK-232-H400	400mm	14 \emptyset	19mm	S/S 304	Bright Polished
DK-232-H600	600mm	14 \emptyset	19mm	S/S 304	Bright Polished
DK-292-H400	400mm	14 \emptyset	19mm	S/S 304	Matte Black
DK-292-H600	600mm	14 \emptyset	19mm	S/S 304	Matte Black



PULL HANDLES

Code	CTC of Holes	Hole Size	Tube Size	Material	Finish
BH-010	200mm	14Ø	19mm	S/S 304	Bright Polished
BH-910	200mm	14Ø	19mm	S/S 304	Matte Black



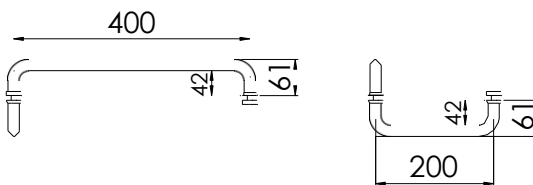
SQUARE PULL HANDLES

Code	CTC of Holes	Hole Size	Tube Size	Material	Finish
SH-010	200mm	14Ø	19mm	S/S 304	Bright Polished
SH-910	200mm	14Ø	19mm	S/S 304	Matte Black



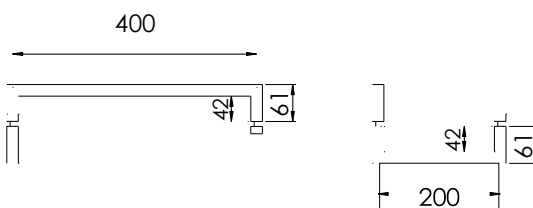
TOWEL RAIL WITH PULL HANDLE

Code	CTC of Holes	Hole Size	Tube Size	Material	Finish
BH-001	200mm/400mm	14Ø	19mm	S/S 304	Bright Polished
BH-901	200mm/400mm	14Ø	19mm	S/S 304	Matte Black



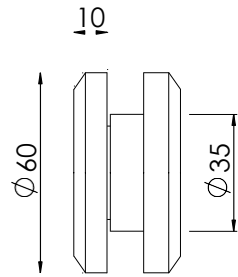
SQUARE TOWEL RAIL WITH PULL

Code	CTC of Holes	Hole Size	Tube Size	Material	Finish
SH-001	200mm/400mm	14Ø	19mm	S/S 304	Bright
SH-901	200mm/400mm	14Ø	19mm	S/S 304	Matte

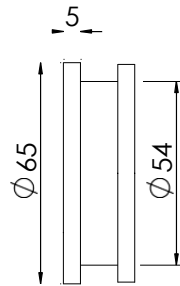




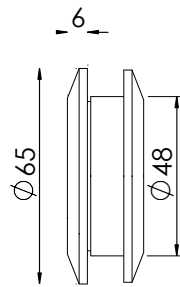
FLUSH HANDLE WITH PLATE - SMALL			
Code	Hole Size	Material	Finish
FH-036P	36 ϕ	Aluminium	Bright Chrome Plated



FLUSH HANDLE WITH PLATE - LARGE			
Code	Hole Size	Material	Finish
FH-055P	55 ϕ	S/S 304	Bright Polished



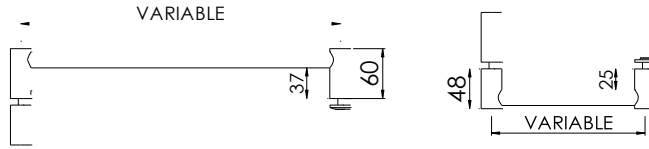
FLUSH HANDLE WITH NO PLATE - LARGE			
Code	Hole Size	Material	Finish
FH-155P	55 ϕ	S/S 304	Bright Polished





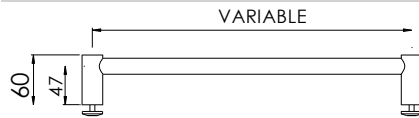
CUSTOM TOWEL RAIL AND HANDLE KIT

Code	CTC of Holes	Hole Size	Tube Size	Material	Finish
BTK-ET	Custom	12Ø	19Ø	S/S 304	Bright Polished



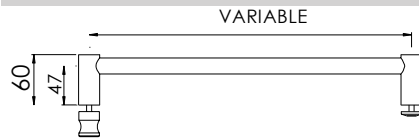
CUSTOM GLASS TOWEL RAIL KIT

Code	CTC of Holes	Hole Size	Tube Size	Material	Finish
STA-TRK-ET	Custom	12Ø	19Ø	S/S 304	Bright Polished



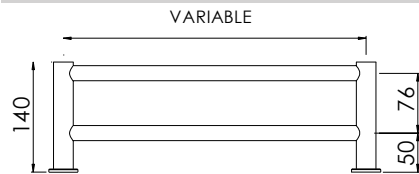
CUSTOM GLASS TOWEL RAIL KIT WITH BACK KNOB

Code	CTC of Holes	Hole Size	Tube Size	Material	Finish
STA-TRKK-ET	Custom	12Ø	19Ø	S/S 304	Bright Polished



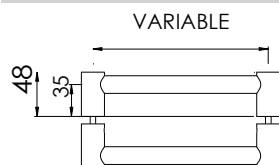
CUSTOM DOUBLE TOWEL RAIL KIT WALL

Code	CTC of Holes	Hole Size	Tube Size	Material	Finish
SS-DTR-KIT	Custom	12Ø	19Ø	S/S 304	Bright



CUSTOM PULL HANDLE

Code	CTC of Holes	Hole Size	Tube Size	Material	Finish
STA-PH-KIT	Custom	12Ø	19Ø	S/S 304	Bright

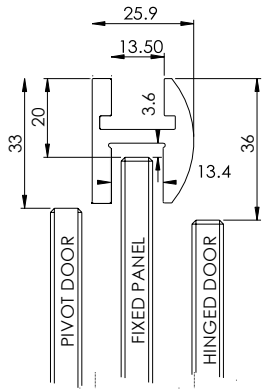


metal profiles

Manufactured from durable materials and precision engineered with a smooth finish for a snug fit, these components are available in a wide variety of formats and sizes.



HEADER RAILS

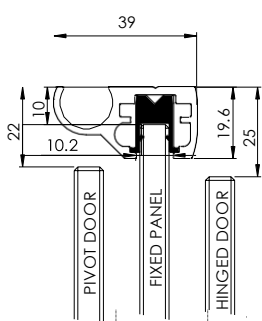


BULL NOSE HEADER RAIL			
Code	Length	Material	Finish
BHDR-1000B	1000mm	Aluminium	Bright Polish Anodize
BHDR-1000N	1000mm	Aluminium	Natural Anodize
BHDR-1000MB	1000mm	Aluminium	Matt Black Anodize
BHDR-1500B	1500mm	Aluminium	Bright Polish Anodize
BHDR-1500N	1500mm	Aluminium	Natural Anodize
BHDR-1500MB	1500mm	Aluminium	Matt Black Anodize
BHDR-2000B	2000mm	Aluminium	Bright Polish Anodize
BHDR-2000N	2000mm	Aluminium	Natural Anodize
BHDR-2000MB	2000mm	Aluminium	Matt Black Anodize
BHDR-2500B	2500mm	Aluminium	Bright Polish Anodize
BHDR-2500N	2500mm	Aluminium	Natural Anodize
BHDR-2500MB	2500mm	Aluminium	Matt Black Anodize
BHDR-3000B	3000mm	Aluminium	Bright Polish Anodize
BHDR-3000N	3000mm	Aluminium	Natural Anodize
BHDR-3000MB	3000mm	Aluminium	Matt Black Anodize

BHDR-KIT



BHDR-KIT-EXB



SLIMLINE HEADER RAIL			
Code	Length	Material	Finish
SLHR-1000B	1000mm	Aluminium	Bright Polish Anodize
SLHR-1000N	1000mm	Aluminium	Natural Anodize
SLHR-1500B	1500mm	Aluminium	Bright Polish Anodize
SLHR-1500N	1500mm	Aluminium	Natural Anodize
SLHR-2000B	2000mm	Aluminium	Bright Polish Anodize
SLHR-2000N	2000mm	Aluminium	Natural Anodize
SLHR-2500B	2500mm	Aluminium	Bright Polish Anodize
SLHR-2500N	2500mm	Aluminium	Natural Anodize
SLHR-3000B	3000mm	Aluminium	Bright Polish Anodize
SLHR-3000N	3000mm	Aluminium	Natural Anodize

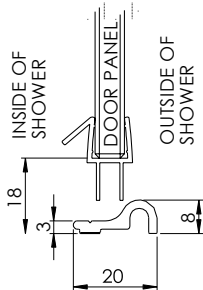
SLHR-KIT



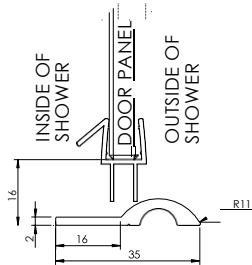
SLHR-KIT-EXB



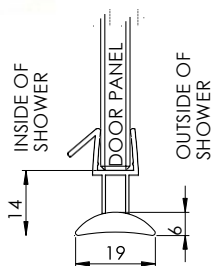
CILL PLATES



STANDARD CILL PLATE			
Code	Length	Material	Finish
MCP-1001B	1000mm	Aluminium	Bright Polish Anodize
MCP-1001N	1000mm	Aluminium	Natural Anodize
MCP-1001MB	1000mm	Aluminium	Matt Black Anodize
MCP-1501B	1500mm	Aluminium	Bright Polish Anodize
MCP-1501N	1500mm	Aluminium	Natural Anodize
MCP-1501MB	1500mm	Aluminium	Matt Black Anodize
MCP-2001B	2000mm	Aluminium	Bright Polish Anodize
MCP-2001N	2000mm	Aluminium	Natural Anodize
MCP-2001MB	2000mm	Aluminium	Matt Black Anodize
MCP-3001B	3000mm	Aluminium	Bright Polish Anodize
MCP-3001N	3000mm	Aluminium	Natural Anodize
MCP-3001MB	3000mm	Aluminium	Matt Black Anodize

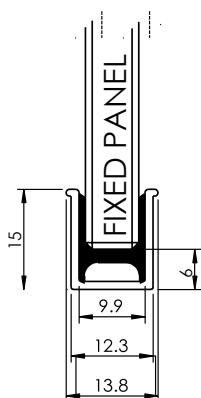


BROAD CILL PLATE			
Code	Length	Material	Finish
BCP-1001B	1000mm	Aluminium	Bright Polish Anodize
BCP-1001N	1000mm	Aluminium	Natural Anodize
BCP-1501B	1500mm	Aluminium	Bright Polish Anodize
BCP-1501N	1500mm	Aluminium	Natural Anodize
BCP-2001B	2000mm	Aluminium	Bright Polish Anodize
BCP-2001N	2000mm	Aluminium	Natural Anodize
BCP-3001B	3000mm	Aluminium	Bright Polish Anodize
BCP-3001N	3000mm	Aluminium	Natural Anodize



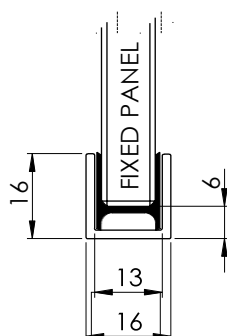
HALF MOON CILL PLATE			
Code	Length	Material	Finish
HMP-1000	1000mm	Aluminium	Bright Polish Anodize
HMP-1500	1500mm	Aluminium	Bright Polish Anodize
HMP-2000	2000mm	Aluminium	Bright Polish Anodize
HMP-3000	3000mm	Aluminium	Bright Polish Anodize

CHANNELS



12.7mm INSERT CHANNEL

Code	Length	Material	Finish
I-CHL-8-10B	1000mm	Aluminium	Bright Polish Anodize
I-CHL-8-10N	1000mm	Aluminium	Natural Anodize
I-CHL-8-10MB	1000mm	Aluminium	Matt Black Anodize
I-CHL-8-15B	1500mm	Aluminium	Bright Polish Anodize
I-CHL-8-15N	1500mm	Aluminium	Natural Anodize
I-CHL-8-15MB	1500mm	Aluminium	Matt Black Anodize
I-CHL-8-20B	2000mm	Aluminium	Bright Polish Anodize
I-CHL-8-20N	2000mm	Aluminium	Natural Anodize
I-CHL-8-20MB	2000mm	Aluminium	Matt Black Anodize
I-CHL-8-30B	3000mm	Aluminium	Bright Polish Anodize
I-CHL-8-30N	3000mm	Aluminium	Natural Anodize
I-CHL-8-30MB	3000mm	Aluminium	Matt Black Anodize

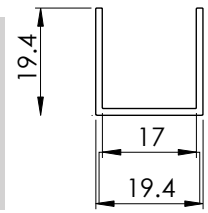


15.88mm U-CHANNEL

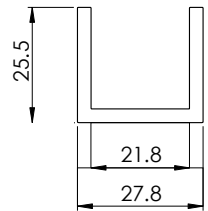
Code	Length	Material	Finish
U-CHL-10-10B	1000mm	Aluminium	Bright Polish Anodize
U-CHL-10-10N	1000mm	Aluminium	Natural Anodize
U-CHL-10-10MB	1000mm	Aluminium	Matt Black Anodize
U-CHL-10-15B	1500mm	Aluminium	Bright Polish Anodize
U-CHL-10-15N	1500mm	Aluminium	Natural Anodize
U-CHL-10-15MB	1500mm	Aluminium	Matt Black Anodize
U-CHL-10-20B	2000mm	Aluminium	Bright Polish Anodize
U-CHL-10-20N	2000mm	Aluminium	Natural Anodize
U-CHL-10-20MB	2000mm	Aluminium	Matt Black Anodize
U-CHL-10-30B	3000mm	Aluminium	Bright Polish Anodize
U-CHL-10-30N	3000mm	Aluminium	Natural Anodize
U-CHL-10-30MB	3000mm	Aluminium	Matt Black Anodize



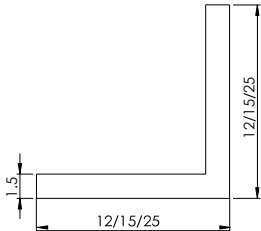
19mm U-CHANNEL			
Code	Length	Material	Finish
U-CHL-19-30N	3000mm	Aluminium	Natural Anodize



25mm U-CHANNEL			
Code	Length	Material	Finish
CHNL-25-30N	3000mm	Aluminium	Natural Anodize



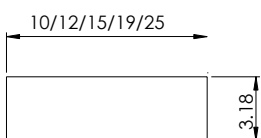
ALUMINIUM ANGLES



ALUMINIUM ANGLES

Code	Description	Length	Material	Finish
AIA12-2000B	12mm Equal Angle	2000mm	Aluminium	Bright Polish Anodize
AIA12-3000B	12mm Equal Angle	3000mm	Aluminium	Bright Polish Anodize
AIA15-2000B	15mm Equal Angle	2000mm	Aluminium	Bright Polish Anodize
AIA15-3000B	15mm Equal Angle	3000mm	Aluminium	Bright Polish Anodize
AIA25-2000B	25mm Equal Angle	2000mm	Aluminium	Bright Polish Anodize
AIA25-3000B	25mm Equal Angle	3000mm	Aluminium	Bright Polish Anodize

FLAT BARS



FLAT BARS

Code	Description	Length	Material	Finish
FLB10-2000B	10mm Flat Bar	2000mm	Aluminium	Bright Polish Anodize
FLB10-3000B	10mm Flat Bar	3000mm	Aluminium	Bright Polish Anodize
FLB12-2000B	12mm Flat Bar	2000mm	Aluminium	Bright Polish Anodize
FLB12-3000B	12mm Flat Bar	3000mm	Aluminium	Bright Polish Anodize
FLB15-2000B	15mm Flat Bar	2000mm	Aluminium	Bright Polish Anodize
FLB15-3000B	15mm Flat Bar	3000mm	Aluminium	Bright Polish Anodize
FLB19-2000B	19mm Flat Bar	2000mm	Aluminium	Bright Polish Anodize
FLB19-3000B	19mm Flat Bar	3000mm	Aluminium	Bright Polish Anodize
FLB25-2000B	25mm Flat Bar	2000mm	Aluminium	Bright Polish Anodize
FLB25-3000B	25mm Flat Bar	3000mm	Aluminium	Bright Polish Anodize

seals



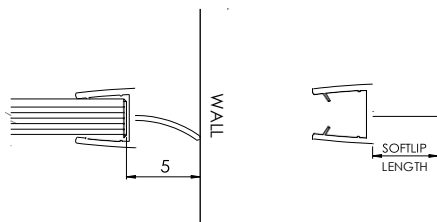
Timberworld's range of seals is the result of our insistence on reliable waterproofing solutions. Our attractive selection reflects our product developers' focus on uncompromising quality and top-grade materials.

SOFT LIP SEALS



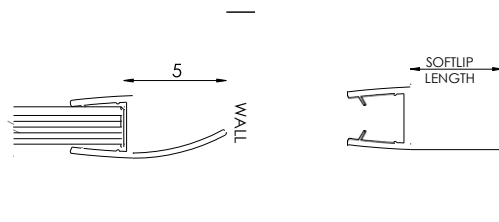
CENTRE LIP SEAL

Code	Material	Soft Lip Length	Length	Glass Thickness
TSS-001-8	PVC	12mm	2500mm	6-8mm
TSS-001-10	PVC	12mm	2500mm	8-10mm
TUV-001-12	PVC	12mm	3000mm	10-12mm



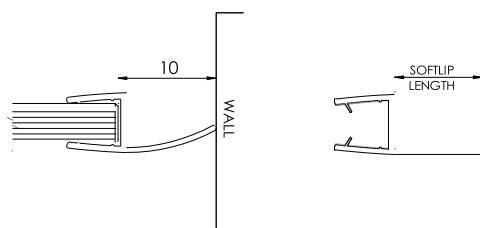
180° SOFT LIP SEAL

Code	Material	Soft Lip Length	Length	Glass Thickness
PSS-003-8	PC	16mm	2500mm	8mm
PUV-003-10	PC	16mm	3000mm	10mm
TSS-003-8	PVC	16mm	2500mm	6-8mm
TSS-003-10	PVC	16mm	2500mm	8-10mm
TUV-003-12	PVC	20mm	3000mm	10-12mm



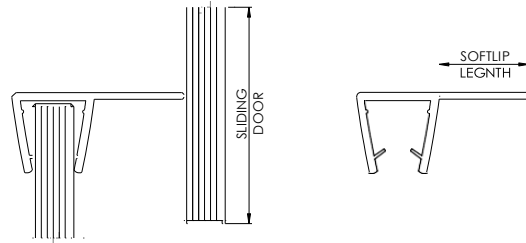
180° LONG LIP SEAL

Code	Material	Soft Lip Length	Length	Glass Thickness
I			2500m	6-8mm
TSS-003-10-22	PVC	22m	2500m	8-10mm

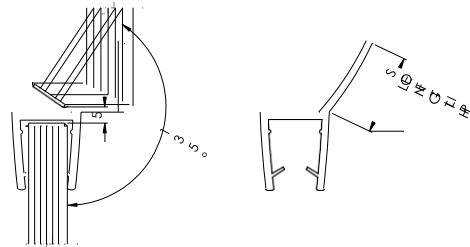




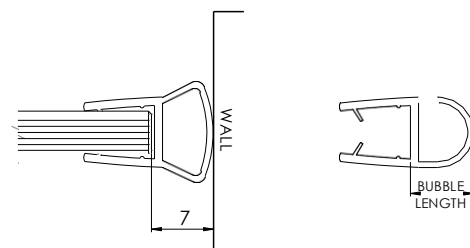
90° SOFT LIP SEAL				
Code	Material	Soft Lip Length	Length	Glass Thickness
TSS-004-8	PVC	8mm	2500mm	6-8mm
TSS-004-8-12	PVC	12mm	2500mm	6-8mm
TSS-004-10	PVC	8mm	2500mm	8-10mm



135° SOFT LIP SEAL				
Code	Material	Soft Lip Length	Length	Glass Thickness
TSS-005-8	PVC	16mm	2500mm	6-8mm
TSS-005-10	PVC	16mm	2500mm	8-10mm

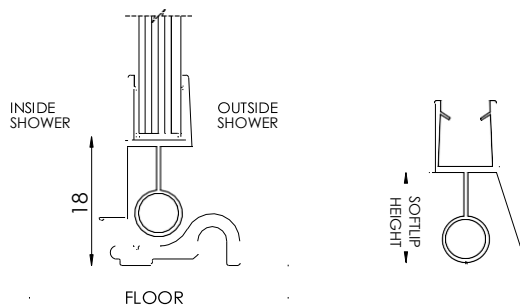


BUBBLE SEAL				
Code	Material	Bubble Length	Length	Glass Thickness
TSS-007-8	PVC	8mm	2500mm	6-8mm
TSS-007-10	PVC	8mm	2500mm	8-10mm
TUV-007-12	PVC	8mm	3000mm	10-12mm



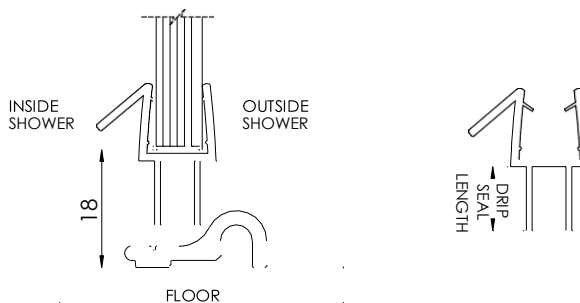
WIPE SEAL WITH BUBBLE

Code	Material	Soft Lip Length	Bubble Lip Length	Length	Glass Thickness
TSS-009-8	PVC	11mm	8mm	2500mm	6-8mm



DRIP & WIPE SEAL

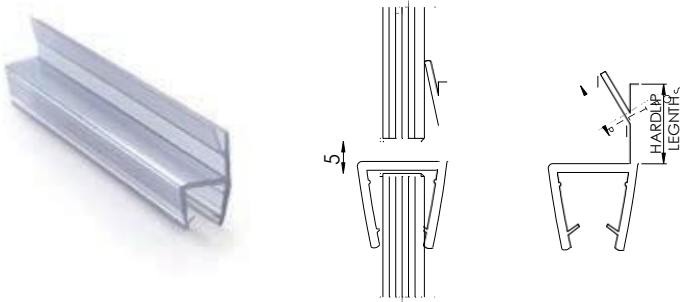
Code	Material	Soft Lip Length	Hard Lip Length	Length	Glass Thickness
I		8m	10m	2500m	8mm
PSS-009B1-8	PC	m	m	m	10mm
PSS-009B1-10	PC	8m	10m	2500m	6-
TSS-009B1-8	PVC	m	m	m	8mm
TSS-009B1-10	PVC	8m	10m	2500m	8-10mm



HARD LIP SEALS

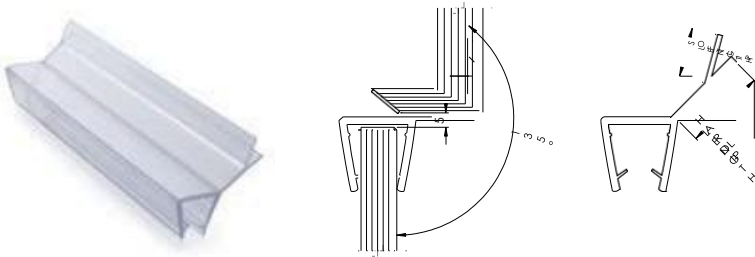
180° HARD LIP SEAL

Code	Material	Soft Lip Length	Hard Lip Length	Length	Glass Thickness
PSS-003A-8	PC	5mm	10mm	2500mm	8mm
PUV-003A-10	PC	5mm	10mm	3000mm	10mm
TSS-003A-8	PVC	5mm	10mm	2500mm	6-8mm
TSS-003A-10	PVC	5mm	10mm	2500mm	8-10mm
TUV-003A-12	PVC	5mm	10mm	3000mm	10-12mm



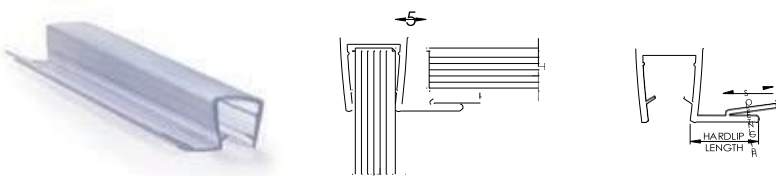
135° HARD LIP SEAL

Code	Material	Soft Lip Length	Hard Lip Length	Length	Glass Thickness
TSS-005A-8	PVC	5mm	10mm	2500mm	6-8mm
TSS-005A-10	PVC	5mm	10mm	2500mm	8-10mm



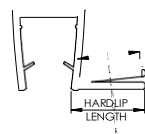
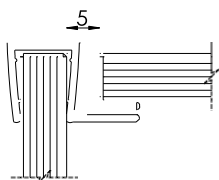
90° EXTENDED HARD LIP SEAL

Code	Material	Soft Lip Length	Hard Lip Length	Length	Glass Thickness
TSS-011A-8	PVC	8mm	10mm	2500mm	6-8mm
TSS-011A-10	PVC	8mm	10mm	2500mm	8-10mm



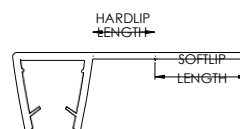
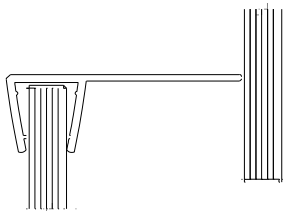
90° HARD LIP SEAL

Code	Material	Soft Lip Length	Hard Lip Length	Length	Glass Thickness
TSS-011C-8	PVC	10mm	10mm	2500mm	6-8mm
TSS-011C-10	PVC	10mm	10mm	2500mm	8-10mm



90° HARD/SOFT LIP SEAL

Code	Material	Soft Lip Length	Hard Lip Length	Length	Glass Thickness
TUV-04A-12	PVC	14mm	10mm	3000mm	10-12mm

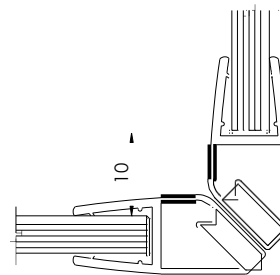
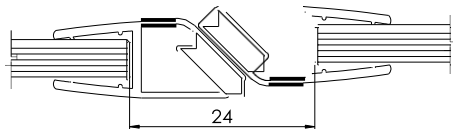
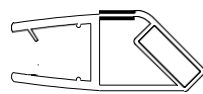


MAGNET SEALS



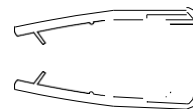
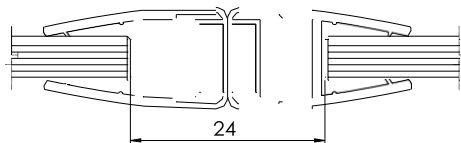
90°/180° MAGNETIC SEAL

Code	Material	Lip Length	Colour	Length	Glass Thickness
TSS-008A-8	PVC	12mm	White	2500mm	6-8mm
SM090-08B	PVC	12mm	Brown	2500mm	6-8mm
TSS-008A-10	PVC	12mm	White	2500mm	8-10mm
SM090-10B	PVC	12mm	Brown	2500mm	8-10mm
TSS-008A-12	PVC	12mm	White	3000mm	10-12mm



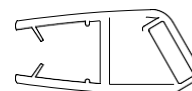
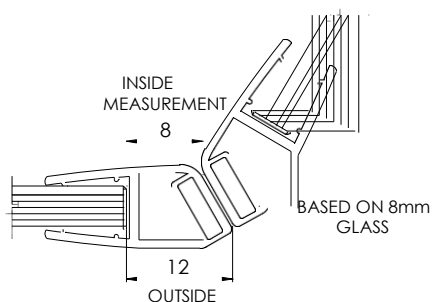
180° FLAT MAGNETIC SEAL

Code	Material	Lip Length	Colour	Length	Glass Thickness
TSS-008B-8	PVC	12mm	White	2500mm	6-8mm
SM180-08B	PVC	12mm	Brown	2500mm	6-8mm
TSS-008B-10	PVC	12mm	White	2500mm	8-10mm
SM180-10B	PVC	12mm	Brown	2500mm	8-10mm

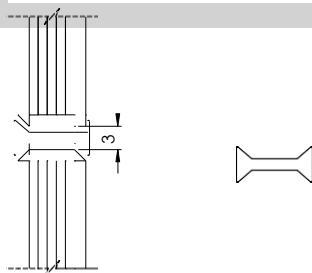


**135° MAGNETIC SEAL**

Code	Material	Lip Length	Colour	Length	Glass Thickness
TSS-008C-8	PVC	12mm	White	2500mm	6-8mm
SM135-08B	PVC	12mm	Brown	2500mm	6-8mm
TSS-008C-10	PVC	12mm	White	2500mm	8-10mm
SM135-10B	PVC	12mm	Brown	2500mm	8-10mm

**INFILL SEALS****180° GLASS TO GLASS INFILL SEAL**

Code	Material	Length	Glass Thickness
IS-180-10	PC	3000mm	10mm
IS-180-12	PC	3000mm	12mm





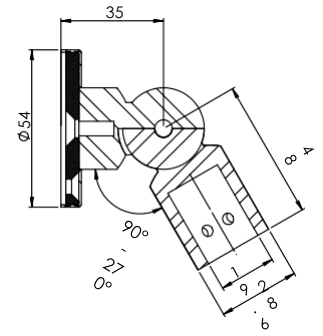
stabilisers

Designed and crafted to exacting standards for sturdy functionality, Timberworld's range of stabilizing components also reflects our trademark elegance.



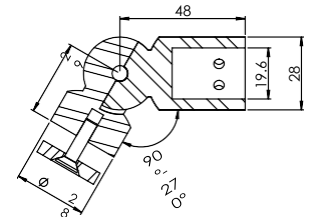
19mm ADJUSTABLE WALL MOUNT SUPPORT BAR BRACKET

Code	Material	Finish
GSH-301	Brass	Bright Chrome Plated
GSH-301-S	Brass	Satin Chrome Plated



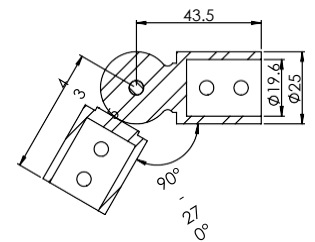
19mm ADJUSTABLE GLASS MOUNT SUPPORT BAR BRACKET

Code	Material	Finish
GSH-401	Brass	Bright Chrome Plated
GSH-401-S	Brass	Satin Chrome Plated



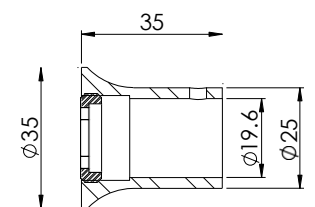
90° ADJUSTABLE 19mm SUPPORT BAR FLANGE

Code	Material	Finish
KA-003*19	Brass	Bright Chrome Plated
KA-003*19-S	Brass	Satin Chrome Plated



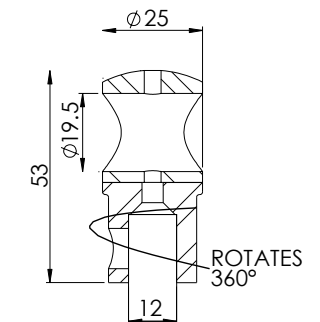
19mm WALL FLANGE

Code	Material	Finish
KA-101*19	Brass	Bright Chrome Plated
KA-111*19	Brass	Satin Chrome Plated
KA-191*19	Brass	Matte Black



19mm GLASS MOUNT SUPPORT BAR STABILISER (straight through)

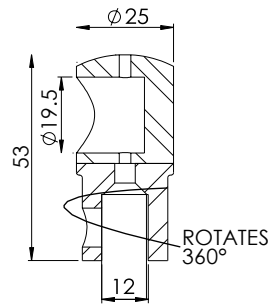
Code	Material	Finish
KA-102*19	Brass	Bright Chrome Plated
KA-102*19-S	Brass	Satin Chrome Plated
KA-192*19	Brass	Matte Black





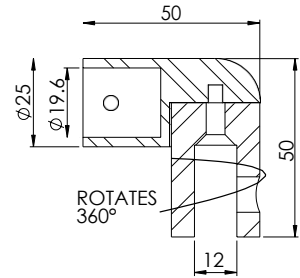
19mm GLASS MOUNT SUPPORT BAR STABILISER

Code	Material	Finish
KA-103*19	Brass	Bright Chrome Plated
KA-103*19-S	Brass	Satin Chrome Plated
KA-193*19	Brass	Matte Black



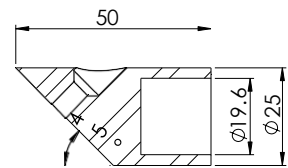
19mm ADJUSTABLE 90° GLASS MOUNT STABILISER

Code	Material	Finish
KA-106*19	Brass	Bright Chrome Plated



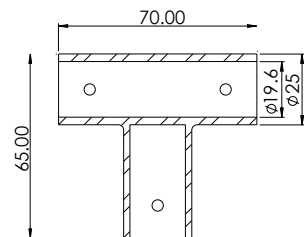
19mm WALL MOUNT 45° SUPPORT BAR STABILISER

Code	Material	Finish
KA-107*19	Brass	Bright Chrome Plated
KA-197*19	Brass	Matte Black



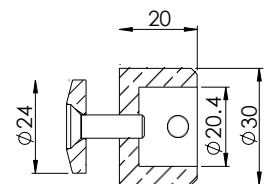
19mm TEE-COUPLER STABILISER

Code	Material	Finish
KA-111*19	Brass	Bright Chrome Plated
KA-111*19-S	Brass	Satin Chrome Plated
KA-199*19	Brass	Matte Black



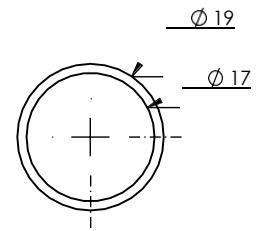
19mm THROUGH GLASS FLANGE

Code	Material	Finish
DP-GFT	S/S 304	Bright Polished



**19mm SUPPORT BAR**

Code	Length	Material	Finish
SB19-1000B	1000mm	S/S 304	Bright Polished
SB19-1000N	1000mm	S/S 304	Brushed
SBA19-1000MB	1000mm	Aluminium	Matt Black
SB19-1500B	1500mm	S/S 304	Bright Polished
SB19-1500N	1500mm	S/S 304	Brushed
SBA19-1500MB	1500mm	Aluminium	Matt Black
SB19-2000B	2000mm	S/S 304	Bright Polished
SB19-2000N	2000mm	S/S 304	Brushed
SBA19-2000MB	2000mm	Aluminium	Matt Black
SB19-3000B	3000mm	S/S 304	Bright Polished
SB19-3000N	3000mm	S/S 304	Brushed
SBA19-3000MB	3000mm	Aluminium	Matt Black





glass shelf clamps

Glass shelves can add structural integrity to your shower design. Solid functionality combined with graceful lines ensures uncluttered convenience of surface use in every area of the bathroom.

WALL TO GLASS SHELF CLAMP

Code	Material	Finish	Glass Thickness
GSH-201	Brass	Bright Chrome Plated	6-10mm
GSH-211	Brass	Satin Chrome Plated	6-10mm
STA-SC-WM	S/S 304	Bright Polished	6-10mm
GSH-203W ¹	Brass	Bright Chrome Plated	6-10mm
GSH-293W ¹	Brass	Matte Black	6-10mm
GSH-213W ²	Brass	Satin Chrome Plated	6-10mm
SH-J103	S/S 304	Bright Polished	6-10mm
SH-J82	S/S 304	Bright Polished	6-10mm
SH-J83	S/S 304	Bright Polished	6-10mm

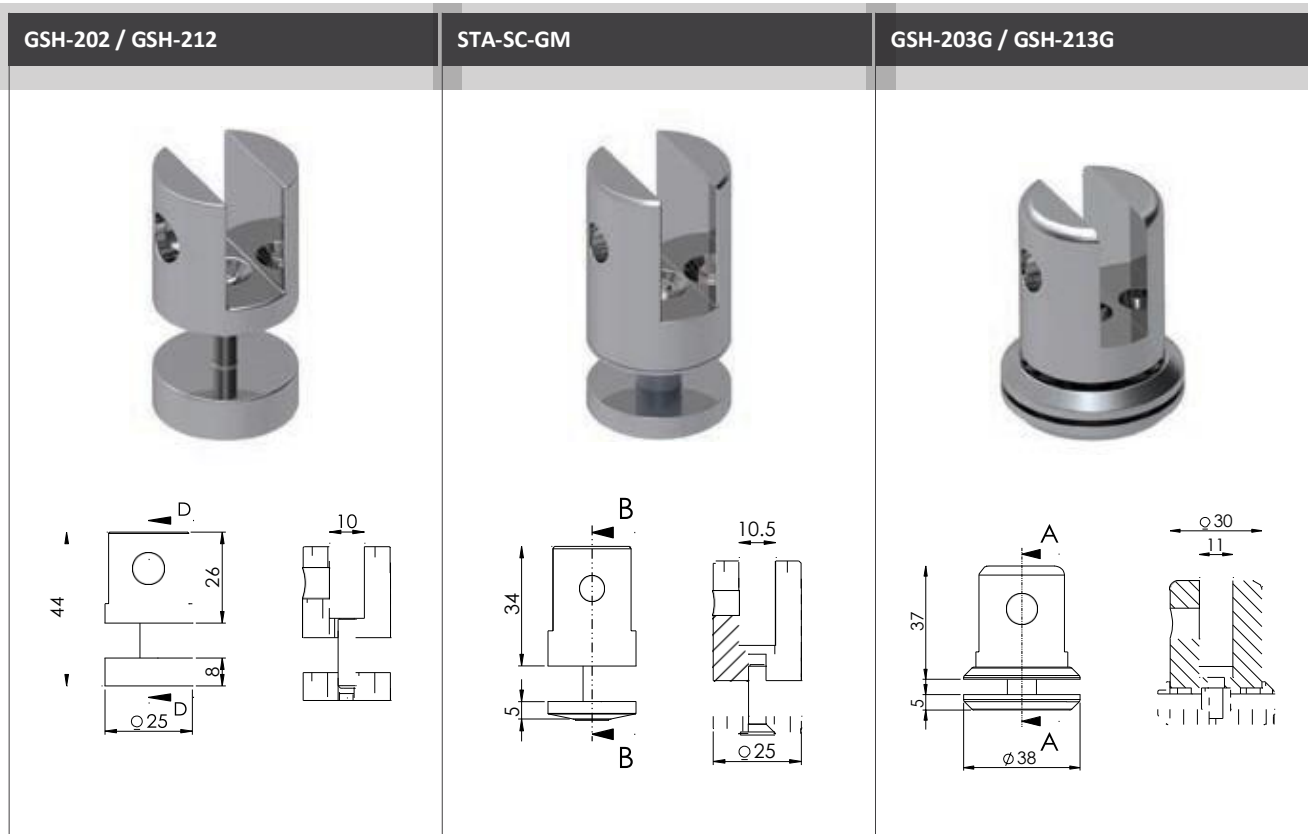
1. Can be sold as a set.
2. Sold only in a set.

GSH-201 / GSH-211	GSH-203W / GSH-293W / GSH-213W	STA-SC-WM
SH-J103	SH-J82	SH-J83

GLASS TO GLASS SHELF CLAMP

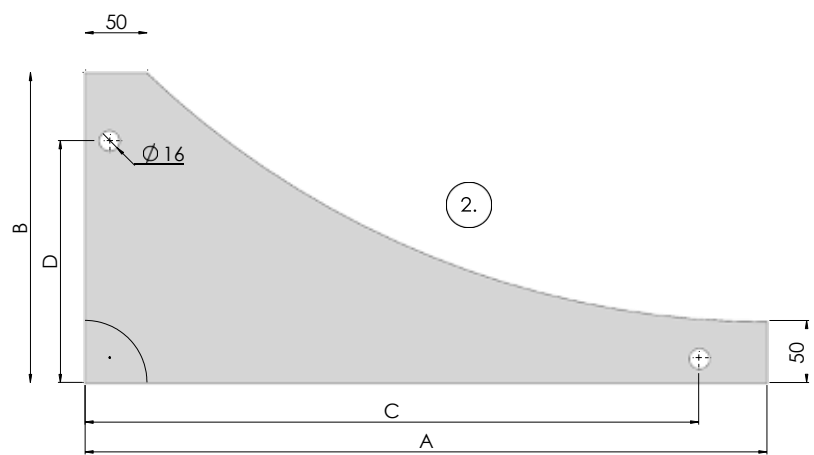
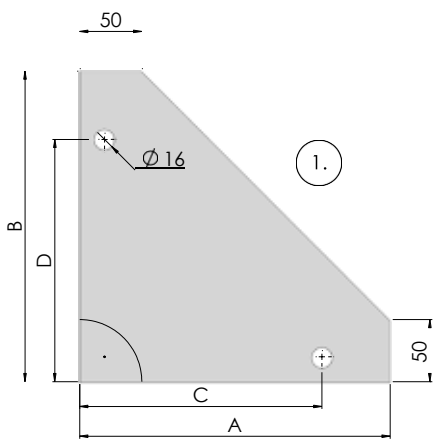
Code	Material	Finish	Glass Thickness
GSH-202	Brass	Bright Chrome Plated	6-10mm
GSH-212	Brass	Satin Chrome Plated	6-10mm
STA-SC-GM	S/S 304	Bright Polished	6-10mm
GSH-203G ¹	Brass	Bright Chrome Plated	6-10mm
GSH-293G ¹	Brass	Matte Black	6-10mm
GSH-213G ²	Brass	Satin Chrome Plated	6-10mm

1. Can be sold as a set.
2. Sold only in a set.



GLASS SHELVES

Code	A	B	C	D
GSG-2030-SN ¹	200mm	300mm	No Hole	No Hole
GSG-2525-SH ¹	250mm	250mm	195mm	195mm
GSG-2525-SN ¹	250mm	250mm	No Hole	No Hole
GSG-3030-SH ¹	300mm	300mm	245mm	245mm
GSG-3030-SN ¹	300mm	300mm	No Hole	No Hole
GSG-5525-CH ²	550mm	250mm	495mm	195mm
GSG-5525-SH ¹	550mm	250mm	495mm	195mm



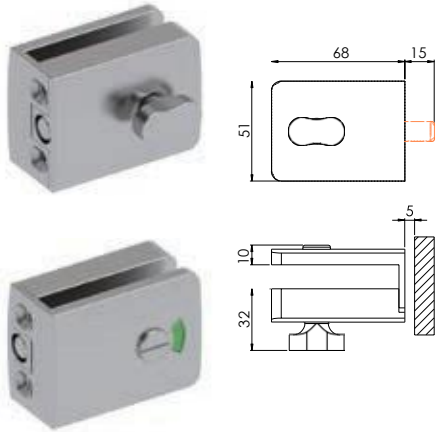


bathroom
locks

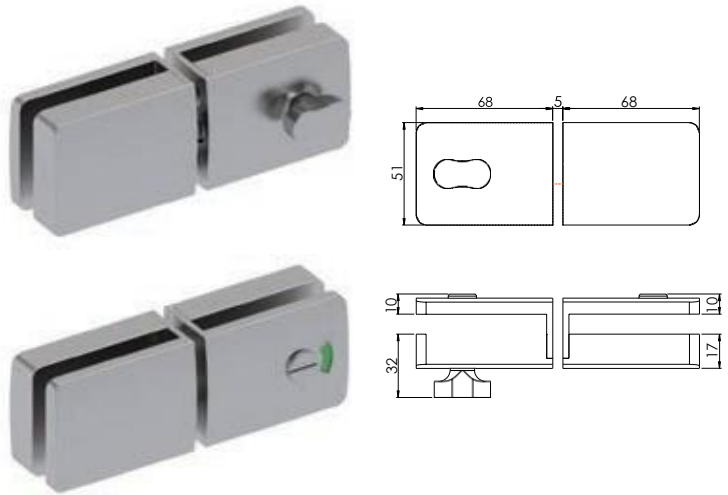
SLIP ON THUMB TURN LOCKS WITH INDICATOR

Code	Description	Material	Finish
GL-001	Wall to Glass Slip on lock with indicator (8-12mm)	Brass	Bright Chrome Plated
GL-002	Glass to Glass Slip on lock with indicator (8-12mm)	Brass	Bright Chrome Plated

GL-001



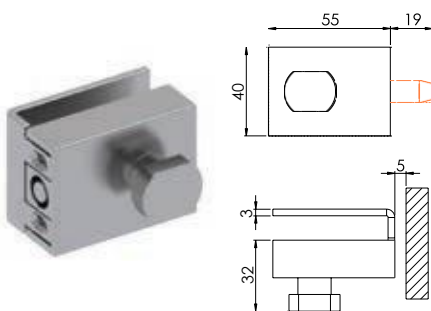
GL-002



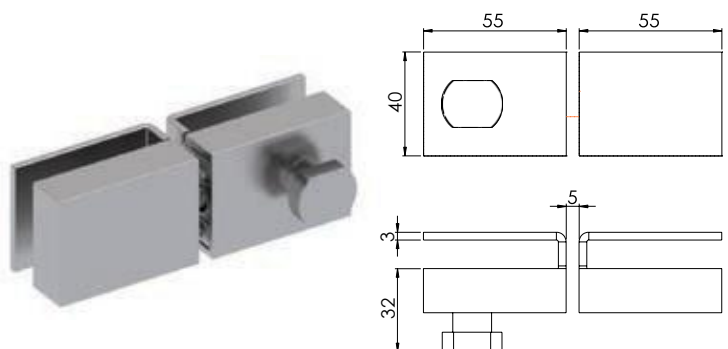
SLIP ON THUMB TURN

Code	Description	Material	Finish
GL-011	Wall to Glass Square slip on lock (10-12mm)	Brass	Bright Chrome
GL-012	Glass to Glass Square slip on lock with keep (10-		Plated Bright

GL-011



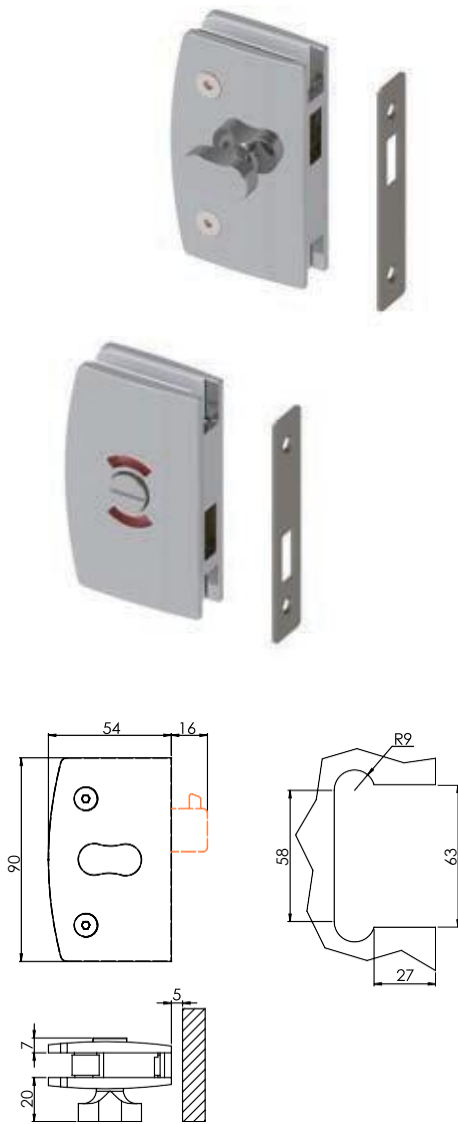
GL-012



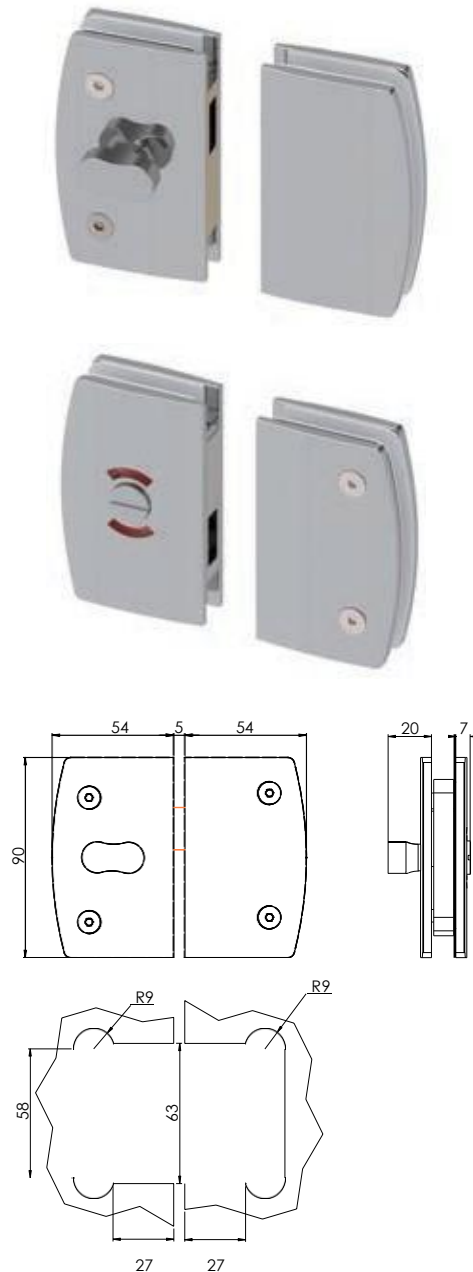
STANDARD THUMB TURN LOCKS

Code	Description	Material	Finish
GL-801	Indicator Lock with Hook (Works For Sliding Doors)	Brass	Bright Chrome Plated
GL-802	Indicator Lock with Hook and Keep Set (Works For Sliding Doors)	Brass	Bright Chrome Plated
GL-803	Lock with Hook (Works For Sliding Doors)	Brass </td <td>Bright Chrome Plated</td>	Bright Chrome Plated
GL-804	Glass to Glass Lock with Hook and Keep Set (Works For Sliding Doors)	Brass	Bright Chrome Plated
OXB-1041	Glass to Wall Thumb Turn Lock	Zinc	Bright Chrome Plated
OXB-1042	Glass to Glass Thumb Turn Lock	Zinc	Bright Chrome Plated

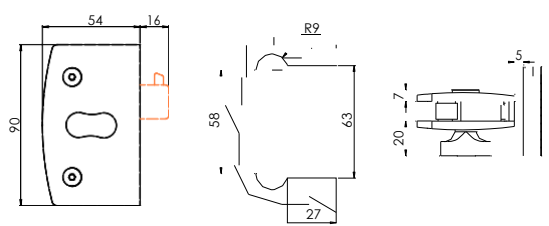
GL-801



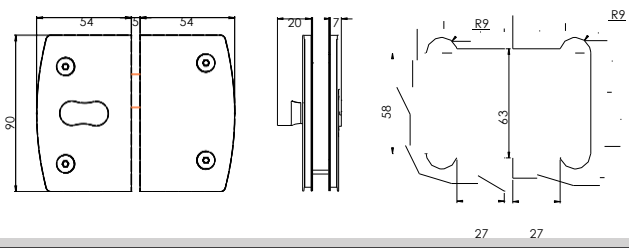
GL-802



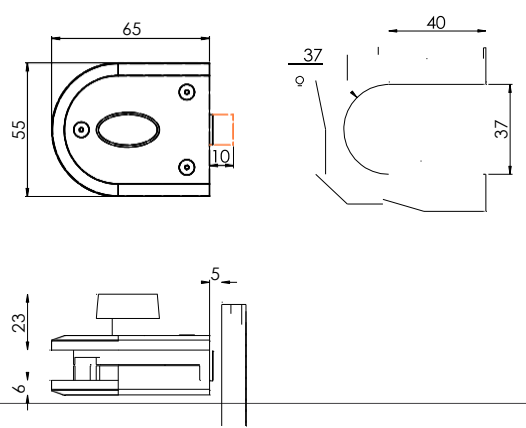
GL-803



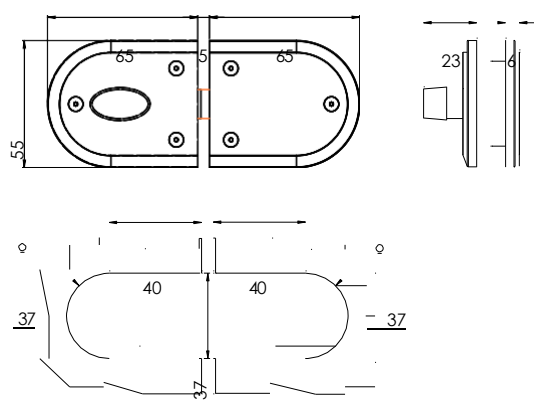
GL-804



OXB-1041






OXB-1042



bathroom accessories



WALL TO GLASS SHELF CLAMP			
Code	Description	Material	Finish
SRHG-000P/SRHW-000P	Glass/Wall Mounted Single Robe Hook	S/S 304	Bright Polished or Brushed
SRDG-000P/SRDW-000P	Glass/Wall Mounted Double Robe Hook	S/S 304	Bright Polished or Brushed
OXB-792P	Glass Mounted Single Robe Hook	Brass	Bright Chrome Plated
SBF-000P	Free Standing Toilet Brush	S/S 304	Bright Polished or Brushed
SBW-000P	Wall Mounted Toilet Brush Holder	S/S 304	Bright Polished or Brushed
SHOG-000P/SHOW-000P	Glass/Wall Mounted Toilet Roll Holder	S/S 304	Bright Polished or Brushed
SSHG-000P/SSHW-000P	Glass/Wall Mounted Spare Toilet Roll Holder	S/S 304	Bright Polished or Brushed
SRIG-000P/SRIW-000P	Glass/Wall Mounted Towel Ring	S/S 304	Bright Polished or Brushed
DSC-501	Cylinder Floor Mount Door Stopper	S/S 304	Bright Polished
DSH-501	Half Moon Floor Mount Door Stopper	S/S 304	Bright Polished
SS2020	20 Diameter by 20mm Long Stand Off	S/S 304	Bright Polished or Brushed
SS2530	25 Diameter by 30mm Long Stand Off	S/S 304	Bright Polished or Brushed

SRHG-000P/SRHW-000P	SRDG-000P/SRDW-000P	OXB-792P	SBF-000P
			
SBW-000P	SHOG-000P/SHOW-000P	SSHG-000P/SSHW-000P	SRIG-000P/SRIW-000P
			
DSC-501	DSH-501	SS2020	SS2530
			



This slider offers a slick and modern look to any bathroom. Its clean rounded lines fit in effortlessly with any surrounding for a neat and smart finish. For the bathroom that has little room for a swinging door this system offers a compact solution.

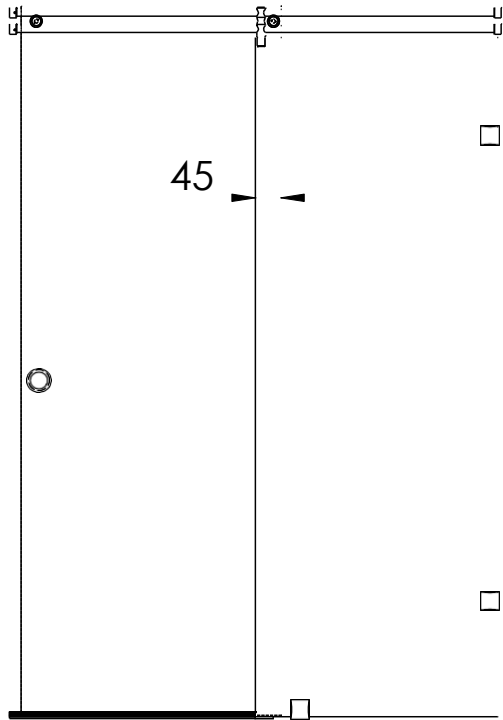
STANDARD CONFIGURATION COMPONENTRY

- 2x SB19-2000B Tube
- 4x DP-FLW Wall Flange
- 2x DP-FPL Wall Plate
- 2x DP-RWH Roller Wheel
- 1x DP-TSGP Tube Support
- 1x SL-0099P Floor Guide

Excluding seals, handles and water stops.



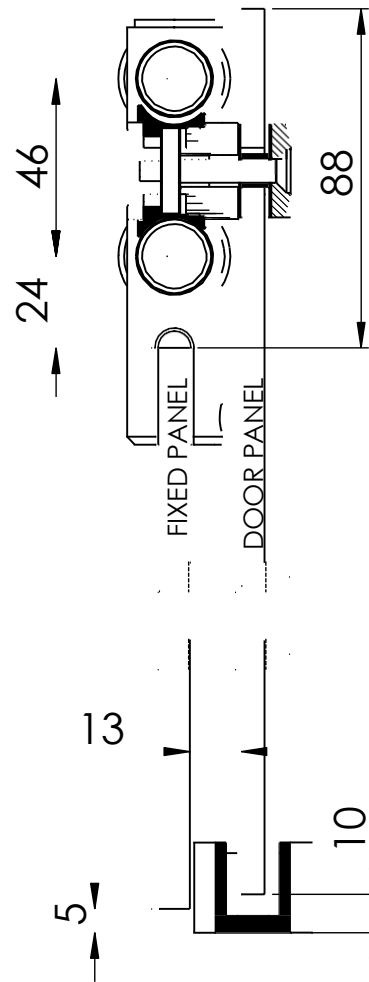
DUPLO - TECHNICAL DETAILS



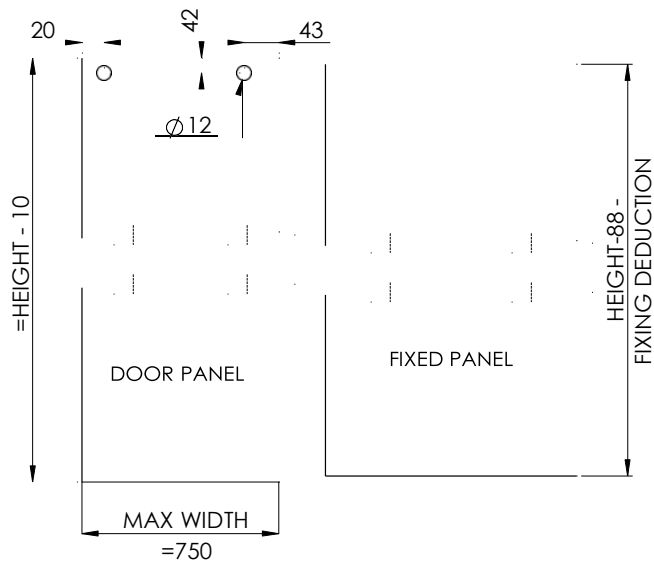
LIMITATIONS

- Glass Thickness: Door: 6mm glass
Fixed: 6mm - 8mm glass
- Max Door width: 750mm
- Max Door Weight: 27kg
- Material: S/S 304
- Finish: Bright Polished

SHOP DRAWING



GLASS CUT OUT DETAIL





A simplistic and sleek cut system that delivers minimalistic design aesthetics, displaying its functional parts in a beautiful manner. This slider's rectangular tube allows for sturdy assemblies while limiting the aesthetic impact of too much hardware.

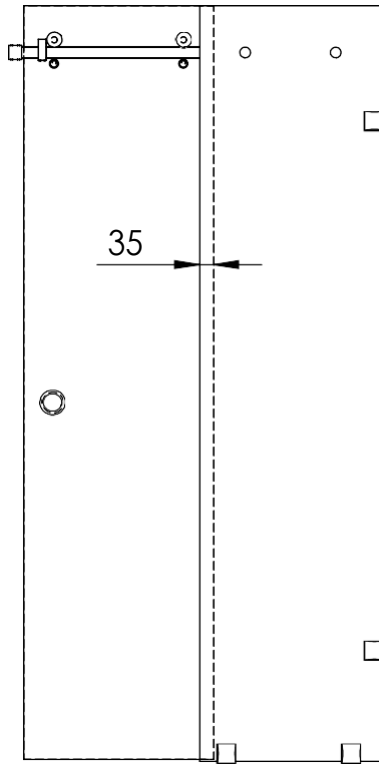
STANDARD CONFIGURATION SPECS

- 1x RST-2000B Slider Track
- 1x EDS-ONE Edge slider Single Door Kit
- 2x EDS-RWH Roller Wheel
- 2x EDS-ALP Anti-Lift Pin
- 2x EDS-DS Door Stop
- 2x EDS-WFL Wall Flange
- 2x EDS-GCC Glass Connector Clamp
- 1x SL-0099P Floor Guide

Excluding seals, handles and water stops.



EDGE SLIDER - TECHNICAL DETAILS

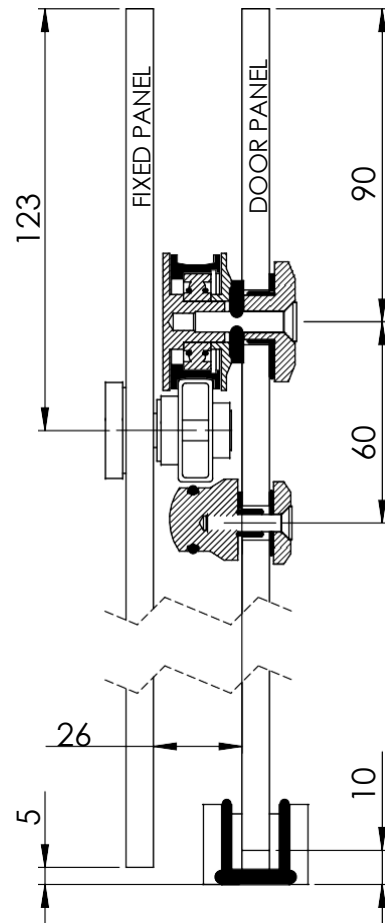
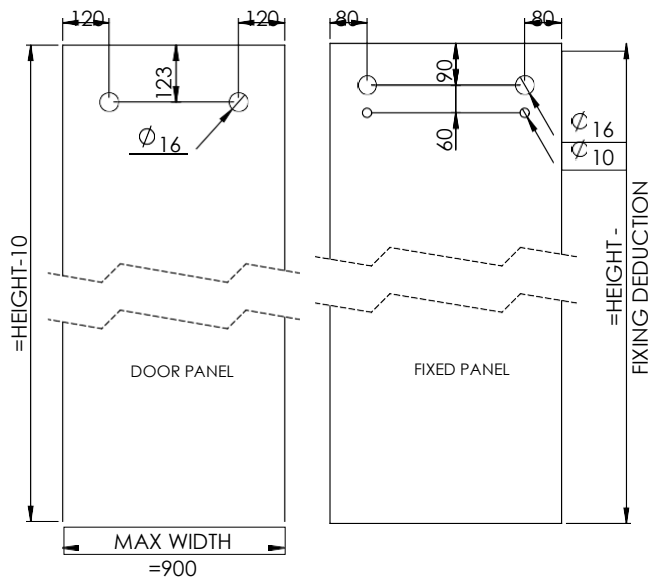


LIMITATIONS

- Glass Thickness: Door: 6mm - 10mm glass
Fixed: 6mm - 10mm glass
- Max Door width: 850mm
- Max Door Weight: 45kg
- Material: S/S 304
- Finish: Bright Polished
- Adjustment: Wheels and Anti-Lifts are adjustable in height.

SHOP DRAWING

GLASS CUT OUT DETAIL



city slider

An extremely versatile system able to provide a simple solution to several situations. This slider can be side mounted to a wall, ceiling fixed or fixed between two walls. It can be used as a doorway slider, a shower slider for regular configurations as well as for the extra tight bathroom as a corner slider.

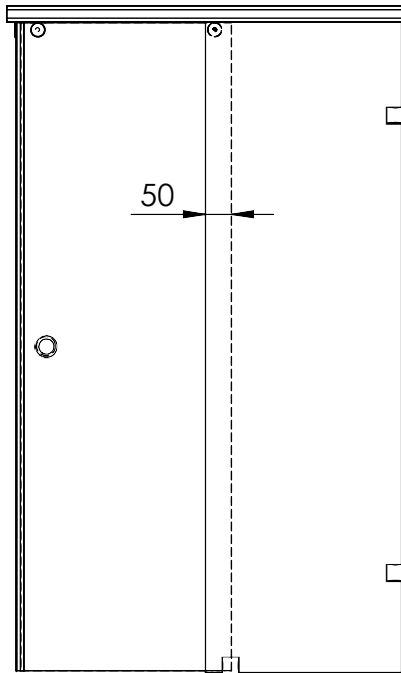
STANDARD CONFIGURATION SPECS

- | | |
|-------------------------|---------------------------------|
| · 1x CSLT-2000B | Slider Track |
| · 1x CSLF-2000B | Slider Fixed Adapter |
| · 2x CSL-RWH/CSL-RWH-HD | Roller Wheel Clip In/Heavy Duty |
| · 2x CSL-DBC | Door Stopper |
| · 1x SL-0099P | Floor Guide |

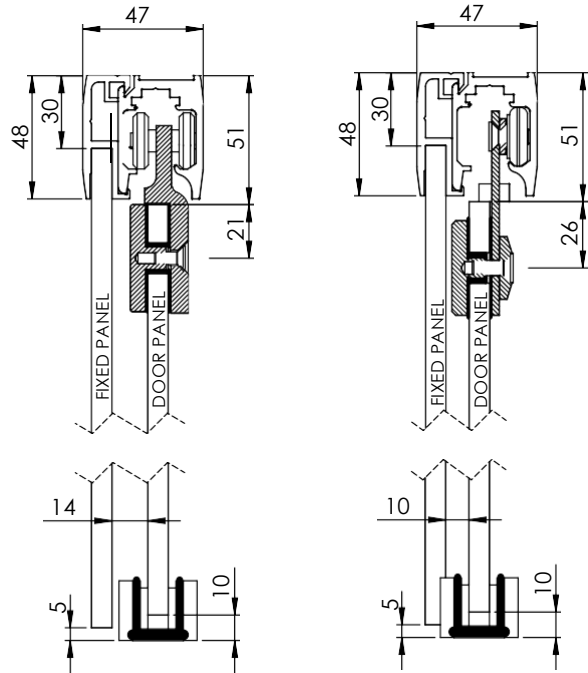
Excluding seals, handles and water stops.



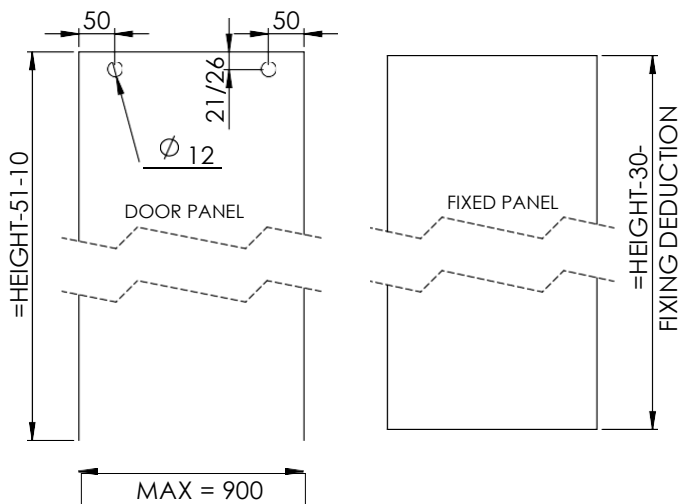
CITY SLIDER - OVERVIEW



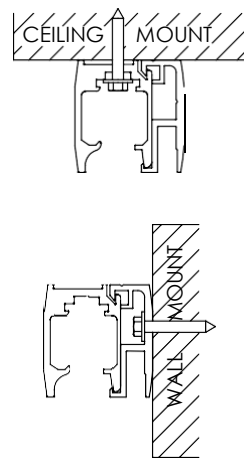
SHOP DRAWING



GLASS CUT OUT DETAIL



MOUNTING OPTIONS



LIMITATIONS

- Glass Thickness: Door: 6mm - 10mm glass
Fixed: 6mm - 8mm glass
- Max Door width: 850mm
- Max Door Weight: 45kg
- Material: S/S 304 and Aluminium
- Finish: Bright Polished/Brushed and Bright Polished/Natural Anodized.

balustrades



Balustrades offer simple elegance combined with functionality ensure visual aesthetics. The attractive minimalist style, with the smooth finish, ensures ease of maintenance.

FLOOR MOUNTS

BALUSTRADE CHANNEL - TECHNICAL DETAILS

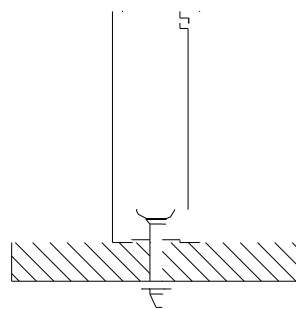
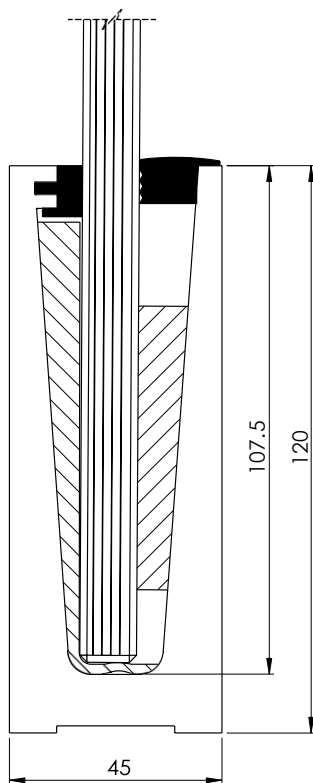
Code: BUWC-2500N

Balustrade channel designed for residential and commercial use when used with a handrail.

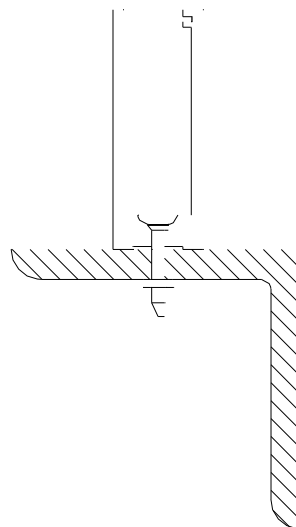
- Supplied complete with fixing kit, gasket and wedges.
- Supplied in 2500mm length.
- Supplied with predrilled holes and water drainage holes.
- Can be installed on timber, concrete and steel beams.
- Extruded in T6 6063 aluminium.
- Glass Thickness: 12mm glass

Available Finishes

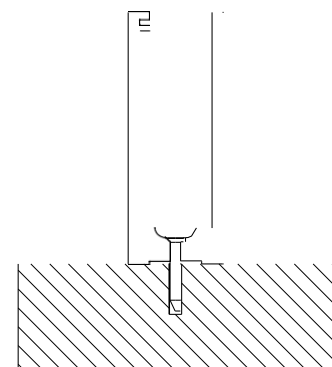
- Natural Anodized
- Selected powder coated colours available, lead times apply.



TIMBER MOUNTED



BEAM MOUNTED



FLOOR MOUNTED



FLOOR MOUNTS

SPIGOTS - TECHNICAL DETAILS

Code: BFM-511

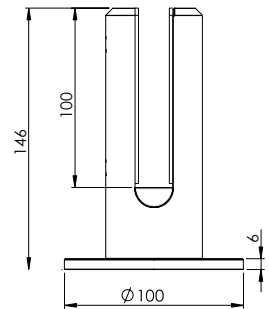
- Spigot can be fastened to concrete, wooden floors or beams using 4x screws that are supplied.
- Cover plate can be ordered separately
- Manufactured in 304 stainless steel.
- 316 stainless steel can be ordered on request. Lead times apply.
- No holes required in the glass.
- Optional cover plate available
- Glass Thickness: 12mm - 15mm glass.

Available Finishes

- Brushed stainless steel



Recommended Details



SIDE MOUNTS

STAND OFFS - TECHNICAL DETAILS

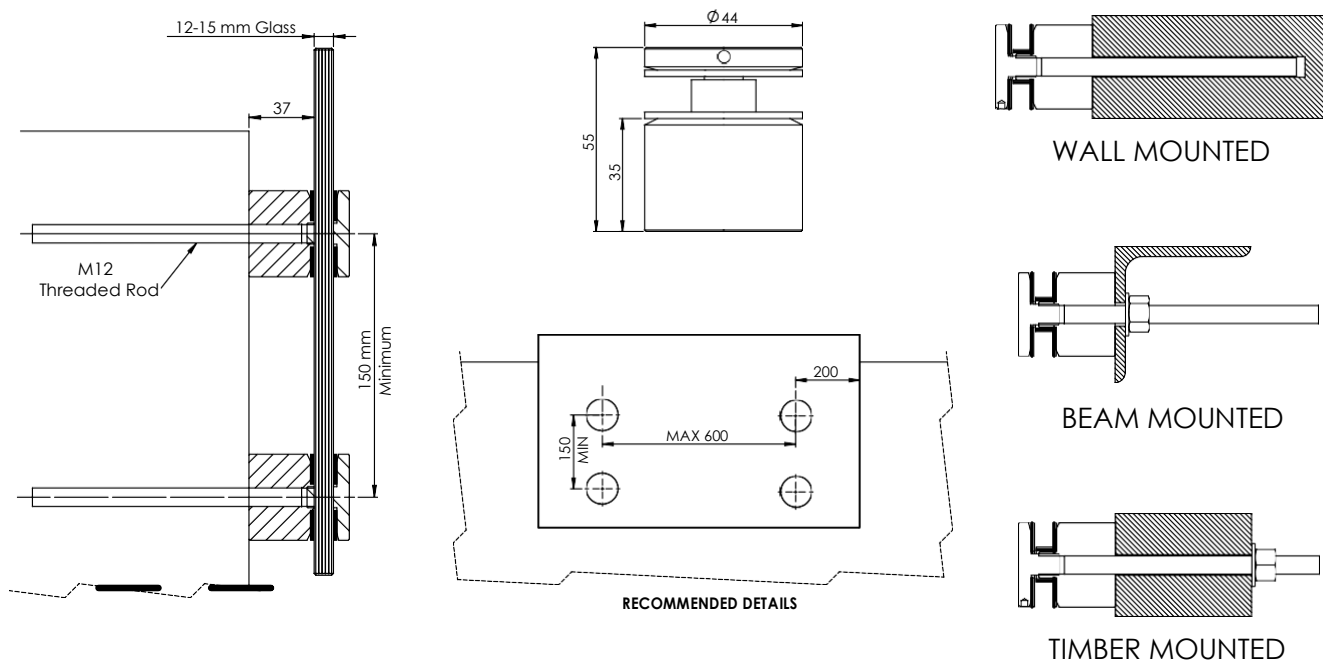
Code: BSM-511

Flat surface cap side mount

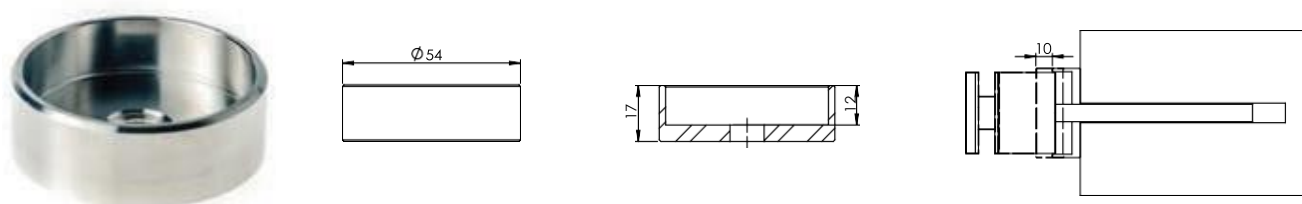
- Side Mounts can be fastened to concrete, timber or steel beams using a threaded rod.
- Supplied with a M12 threaded rod.
- As an option a sleeve can be supplied for adjustment of 7mm.
- Manufactured in 304 stainless steel.
- 316 stainless steel can be ordered on request. Lead times apply.
- Recommended hole diameter on glass is 25mm
- Glass Thickness: 12mm - 15mm glass.

Available Finishes

- Brushed stainless steel
- Selected powder coated colours available, lead times apply.



BSM-511-SL



SIDE MOUNTS

STAND OFFS - TECHNICAL DETAILS

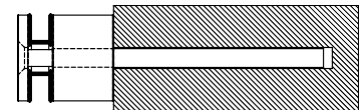
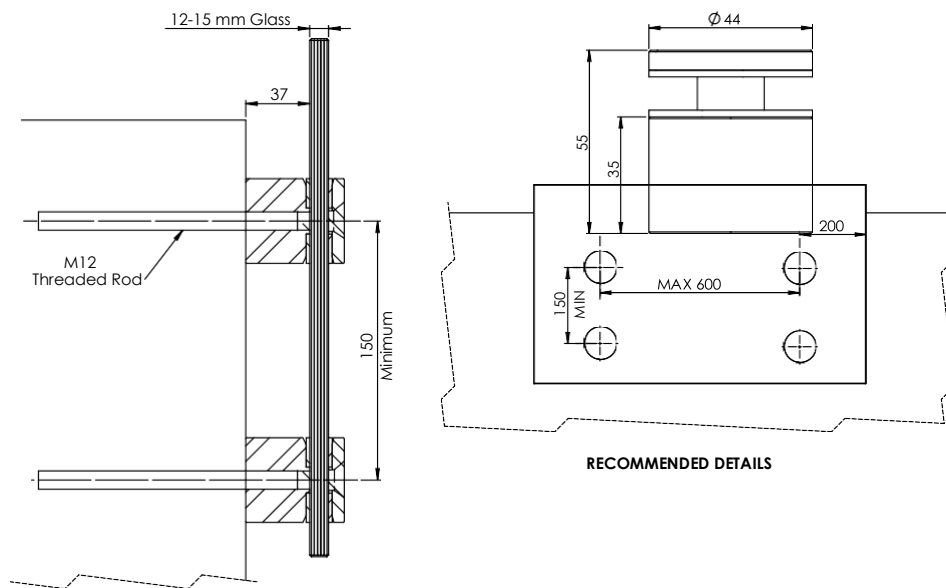
Code: BSM-512

Allan Cap side mount

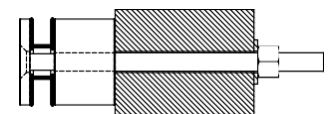
- Side Mounts can be fastened to concrete, timber or steel beams using a threaded rod.
- Supplied with a M12 threaded rod.
- As an option a sleeve can be supplied for adjustment of 7mm.
- Manufactured in 304 stainless steel.
- 316 stainless steel can be ordered on request. Lead times apply.
- Recommended hole diameter on glass is 25mm
- Glass Thickness: 12mm - 15mm glass.

Available Finishes

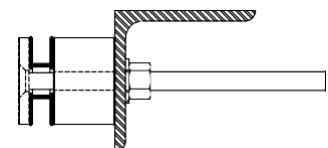
- Brushed stainless steel
- Selected powder coated colours available, lead times apply.



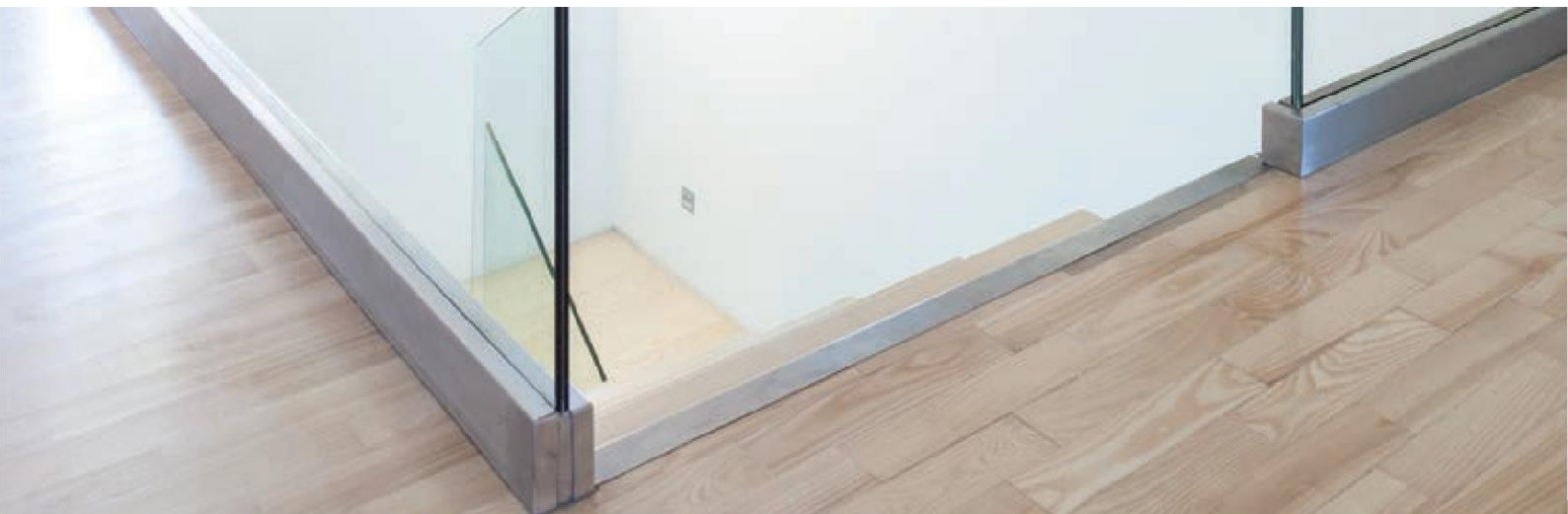
WALL MOUNTED



TIMBER MOUNTED



BEAM MOUNTED



HAND RAIL

SLOTTED HAND RAIL - TECHNICAL DETAILS

Code: BHR42

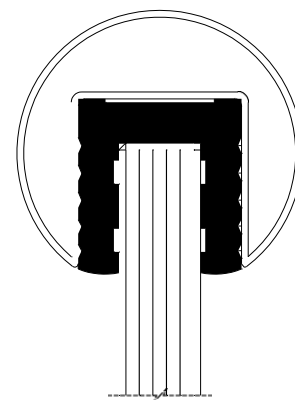
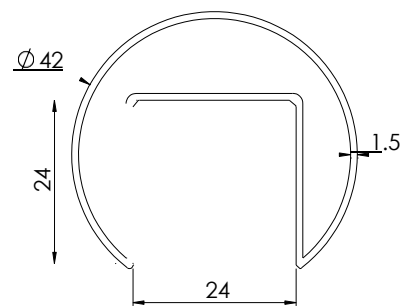
- Rubber Gasket as well as other handrail accessories available on request.
- 6000mm and 3000mm lengths available.
- Easy install using handrail accessories, no welding required.
- Manufactured in 316 stainless steel.
- Glass Thickness: 10 - 12mm glass

Available Finishes

- Brushed stainless steel



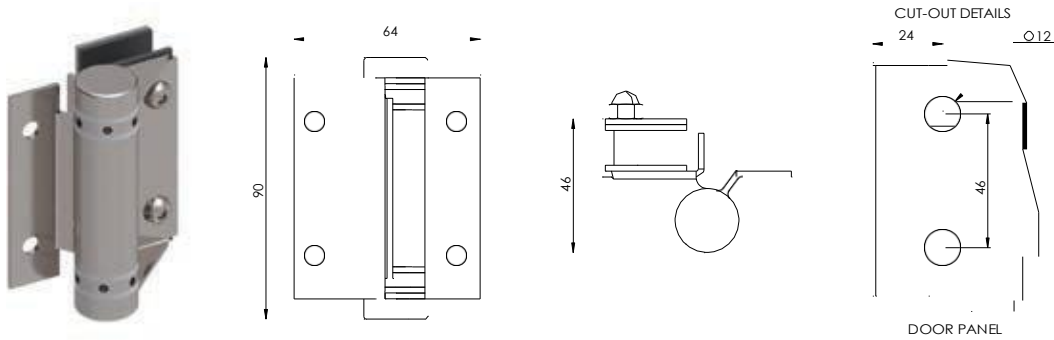
BHR42-90	BHR42-180
	
BHR42-EC	BHR42-WF
	



HINGES

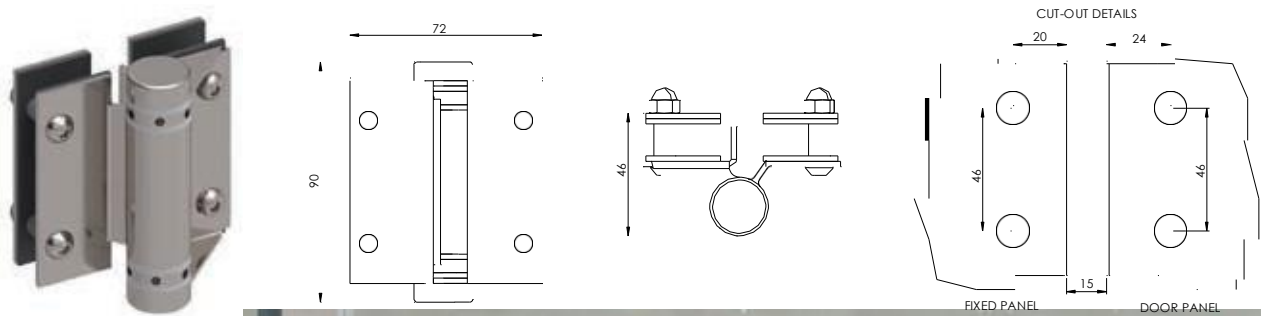
90° WALL TO GLASS HINGE WITH SELF CLOSE FUNCTION

Code	Material	Finish	Weight	Glass Thickness
BGH-601-90	S/S 316	Bright Polished	35kg	8-12mm
BGH-611-90	S/S 316	Brushed	35kg	8-12mm



180° GLASS TO GLASS HINGE WITH SELF CLOSE FUNCTION

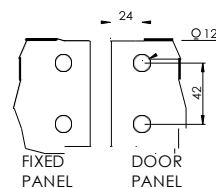
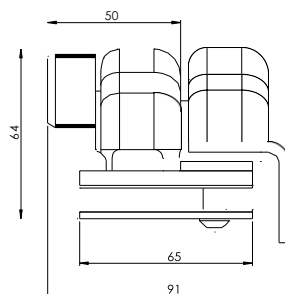
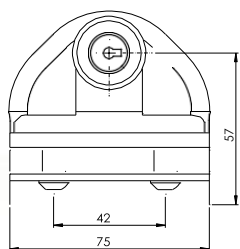
Code	Material	Finish	Weight	Glass Thickness
BGH-602-180	S/S 316	Bright Polished	35kg	8-12mm
BGH-612-180	S/S 316	Brushed	35kg	8-12mm



LOCKS

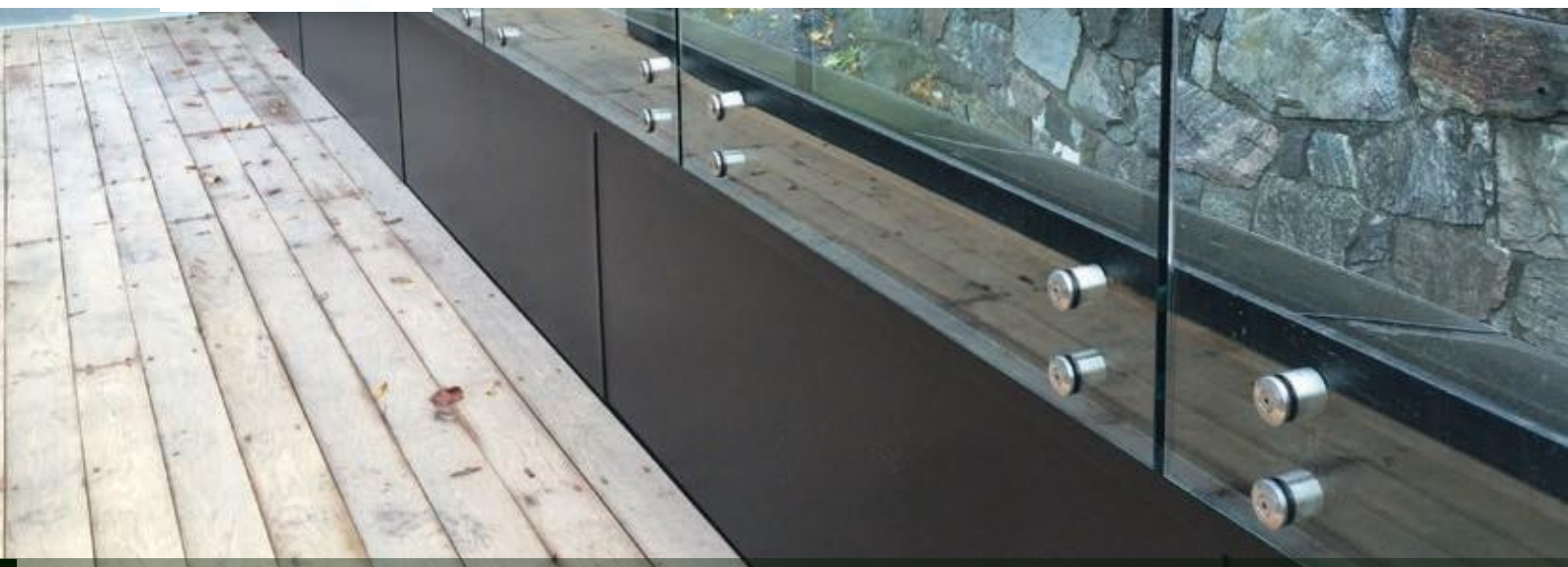
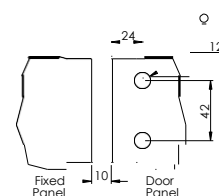
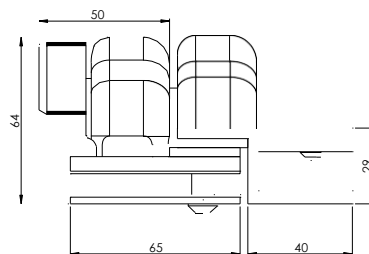
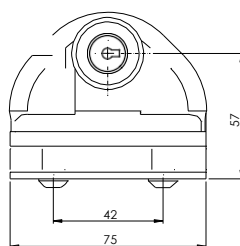
90° WALL TO GLASS MAGNETIC BALUSTRADE LOCK WITH KEY

Code	Material	Finish	Glass Thickness
BGL-601-90	S/S 316	Bright Polished	8-12mm
BGL-611-90	S/S 316	Brushed	8-12mm



180° GLASS TO GLASS MAGNETIC BALUSTRADE LOCK WITH

Cod	Materia	Finish	Glass Thickness
BGL-602-180	S/S 316	Bright	8-12mm
BGH-612-180	S/S 316	Brushe	8-12mm



patch fittings

Overpanel and angled overpanel fittings are available in a highly specialized range suitable for diverse applications. Stainless steel cover plates and expert manufacture ensures precise installation.

BOTTOM CORNER PATCH (SP10)

DESCRIPTION

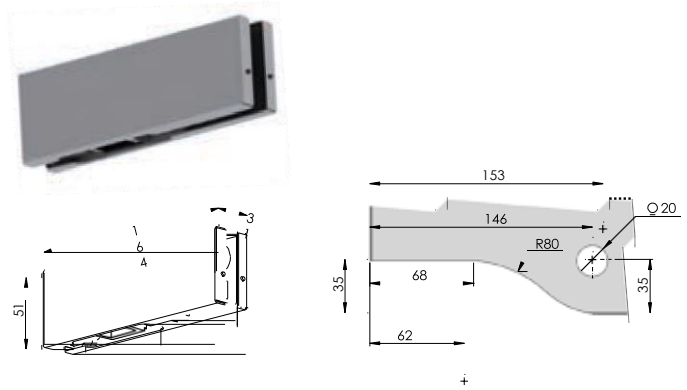
With Bottom Insert for Double Action for Floor Spring Adjustable Pivot (55/65mm)

Glass thickness: 8, 10, 12 and 15mm.

Internal Body Material: Aluminium

Cover Plate Material: S/S 304

Available in: Brushed or Polished



TOP CORNER PATCH (SP20)

DESCRIPTION

With plastic bushing for Ø15mm pin

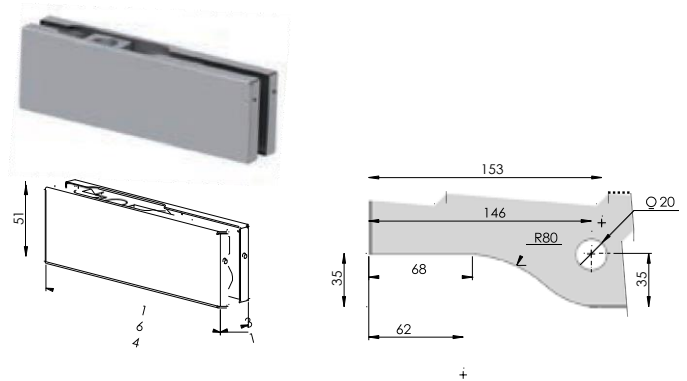
Adjustable Pivot(55/65mm)

Glass thickness: 8, 10, 12 and 15mm.

Internal Body Material: Aluminium

Cover Plate Material: S/S 304

Available in: Brushed or Polished



LEVER LOCK HANDLE WITH KEY AND THUMB TURN (SP21L)

DESCRIPTION

Latch Bolt

EuroCylinder Pin with 3 keys & Thumbturn.

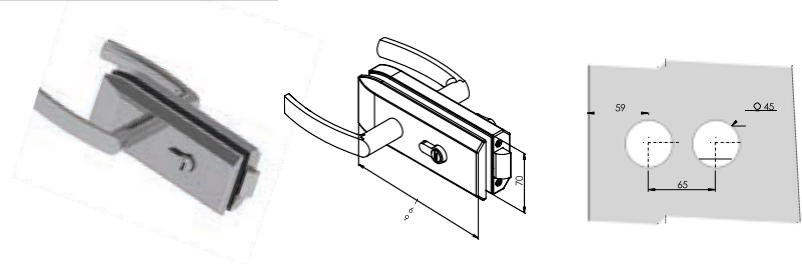
Glass thickness: 8, 10, 12 and 15mm.

Internal Body Material: Aluminium

Cover Plate Material: S/S 304

Available in: Brushed or Polished

Includes Striker Plate



KEEP FOR LEVER LOCK HANDLE WITH KEY AND THUMB TURN (SP21B)

DESCRIPTION

Works in Conjunction With

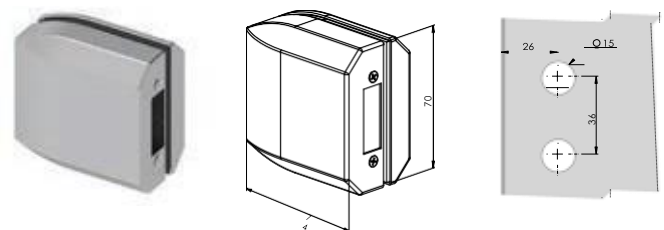
SP21L Lock Throw Receiver

Glass thickness: 8, 10, 12 and 15mm.

Internal Body Material: Aluminium

Cover Plate Material: S/S 304

Available in: Brushed or Polished



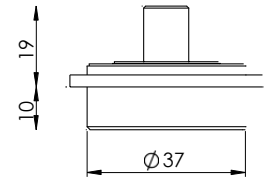
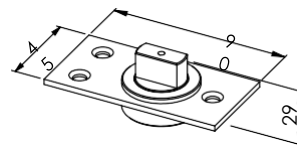
FREE PIVOT BEARING (SP23)

DESCRIPTION

Internal Free Pivoting Thrust Bearing

Cover Plate Material: S/S 304

Available in: Brushed or Polished



TOP PIVOT PIN (SP24)

DESCRIPTION

With Ø15mm pin

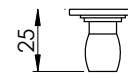
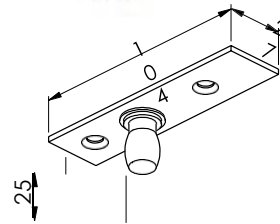
Adjustable Pivot (55/65mm)

Glass thickness: 8, 10, 12 and 15mm.

Internal Body Material: Aluminium

Cover Plate Material: S/S 304

Available in: Brushed or Polished



OVERPANEL PATCH WITH PIN (SP30)

DESCRIPTION

With Ø15mm pin and wall plate

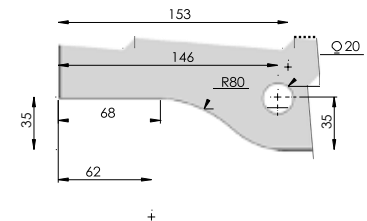
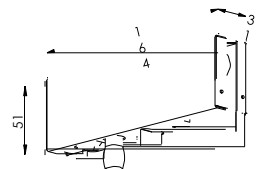
Adjustable Pivot (55/65mm)

Glass thickness: 8, 10, 12 and 15mm.

Internal Body Material: Aluminium

Cover Plate Material: S/S 304

Available in: Brushed or Polished



ANGLED OVERPANEL PATCH WITH PIN (SP40)

DESCRIPTION

With Ø15mm pin

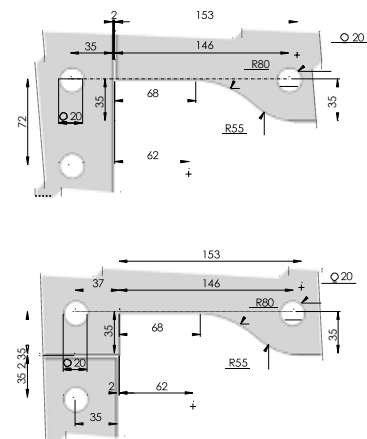
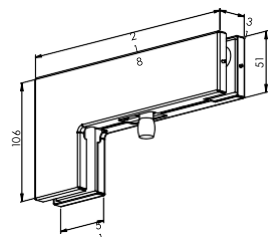
Adjustable Pivot (55/65mm)

Glass thickness: 8, 10, 12 and 15mm.

Internal Body Material: Aluminium

Cover Plate Material: S/S 304

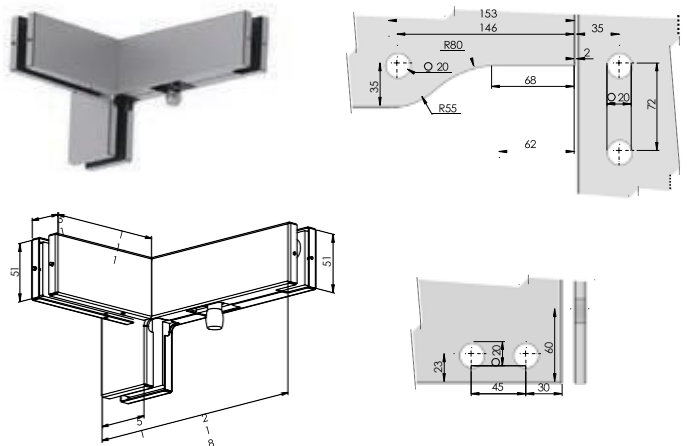
Available in: Brushed or Polished



ANGLED OVERPANEL PATCH WITH FIN CONNECTOR AND PIN LEFT HANDED (SP41L)

DESCRIPTION

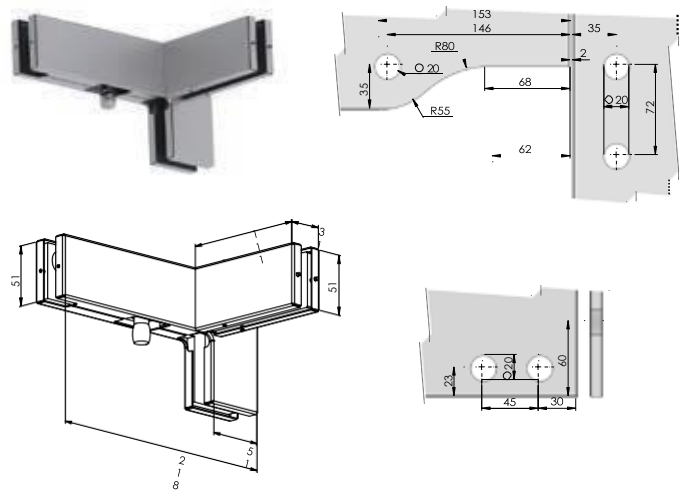
With Ø15mm pin
 Adjustable Pivot (55/65mm)
 Glass thickness: 8, 10, 12 and 15mm.
 Internal Body Material: Aluminium
 Cover Plate Material: S/S 304
 Available in: Brushed or Polished



ANGLED OVERPANEL PATCH WITH FIN CONNECTOR AND PIN RIGHT HANDED (SP41R)

DESCRIPTION

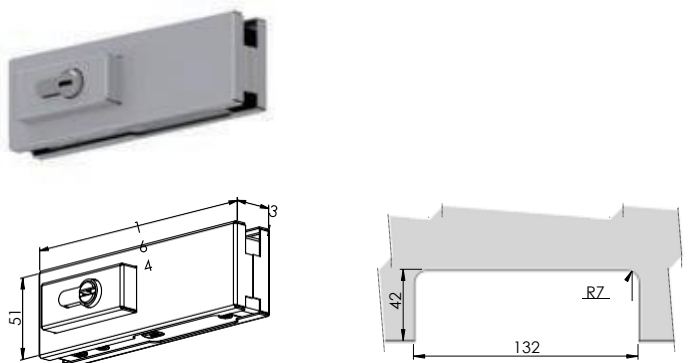
With Ø15mm pin
 Adjustable Pivot (55/65mm)
 Glass thickness: 8, 10, 12 and 15mm.
 Internal Body Material: Aluminium
 Cover Plate Material: S/S 304
 Available in: Brushed or Polished



BOTTOM CORNER LOCK (SP50)

DESCRIPTION

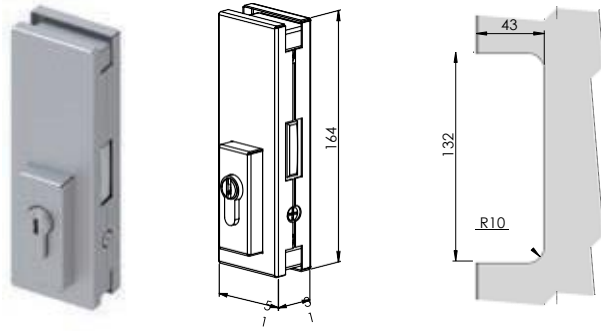
Semi-Round Single-Throw Bolt Ø15mm
 Euro Cylinder Pin with 3 Keys
 Glass thickness: 8, 10, 12 and 15mm.
 Internal Body Material: Aluminium
 Cover Plate Material: S/S 304
 Available in: Brushed or Polished
 Includes Striker Plate



CENTRE PATCH LOCK (SP52)

DESCRIPTION

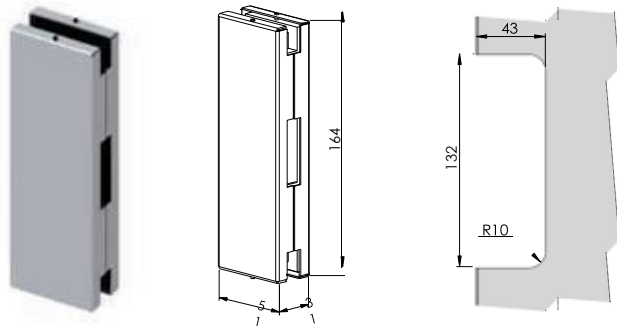
Rectangular Single-Throw Bolt
 Euro Cylinder Pin with 3 Keys
 Glass thickness: 8, 10, 12 and 15mm
 Internal Body Material: Aluminium.
 Cover Plate Material: S/S 304.
 Available in: Brushed or Polished.
 Includes Striker Plate



CENTRE PATCH KEEP (SP53)

DESCRIPTION

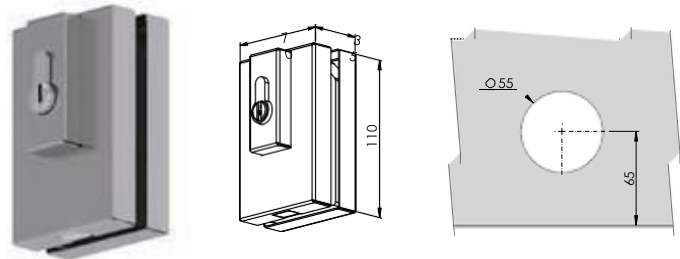
Works in Conjunction With
 SP52 Lock Throw Receiver
 Glass thickness: 8, 10, 12 and 15mm
 Internal Body Material: Aluminium
 Cover Plate Material: S/S 304
 Available in: Brushed or Polished



SQUARE BOTTOM LOCK (SP55)

DESCRIPTION

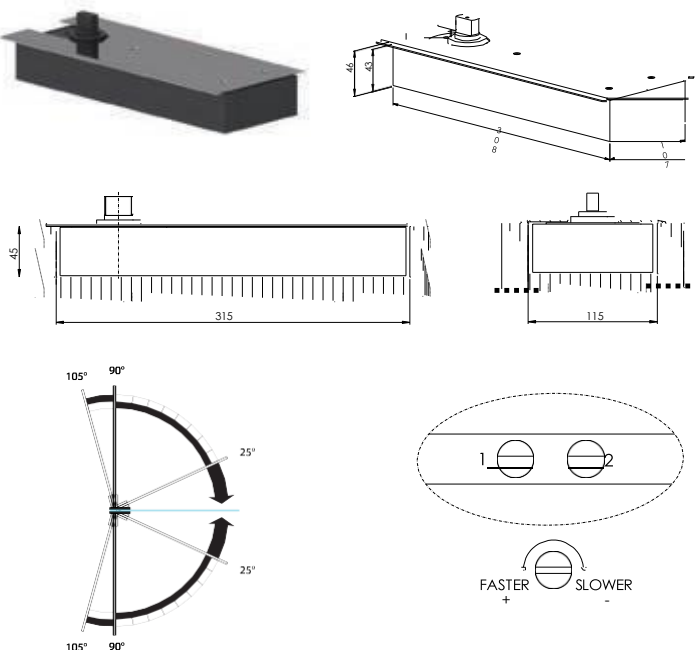
Semi-Round Single-Throw Bolt \varnothing 15mm
 Euro Cylinder Pin with 3 Keys
 Glass thickness: 8, 10, 12 and 15mm
 Internal Body Material: Aluminium
 Cover Plate Material: S/S 304
 Available in: Brushed or Polished



DOUBLE ACTION SUNKEN FLOOR SPRING (SP550)

DESCRIPTION

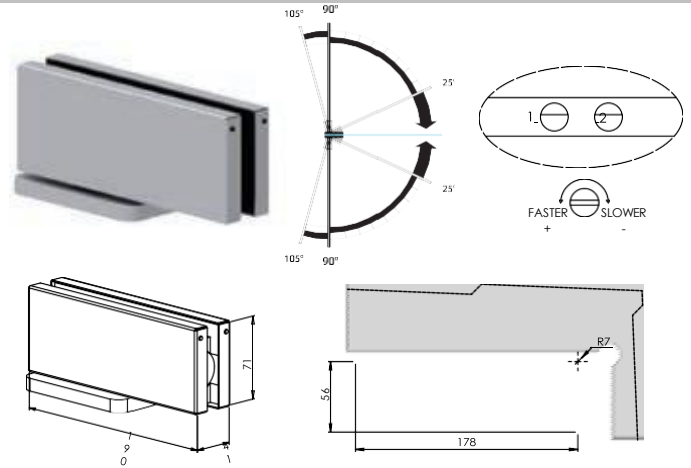
Door Opening Angle Maximum: 105°
 Closing Speed: 90° - 25°
 Latching Speed: 25° - 0°
 Maximum Door Weight: 120kg
 Maximum Door Width: 1200mm
 Available in: Brushed or Polished
 With Standard Thru-axle distance of 10mm
 Includes Cement Box



CONCEALED FLOOR SPRING ABOVE THE GROUND (SP600)

DESCRIPTION

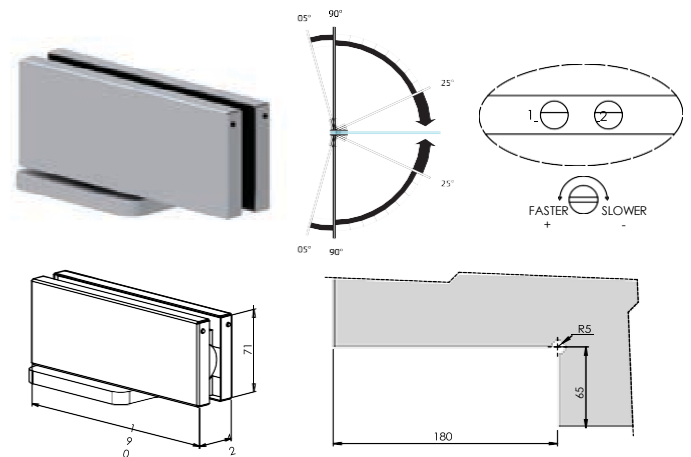
Door Opening Angle Maximum: 105°
 Closing Speed: 90° - 25°
 Latching Speed: 25° - 0°
 Maximum Door Weight: 85kg
 Maximum Door Width: 850mm
 Glass thickness: 8, 10 and 12mm
 Available in: Brushed or Polished



CONCEALED FLOOR SPRING ABOVE THE GROUND (SP610)

DESCRIPTION

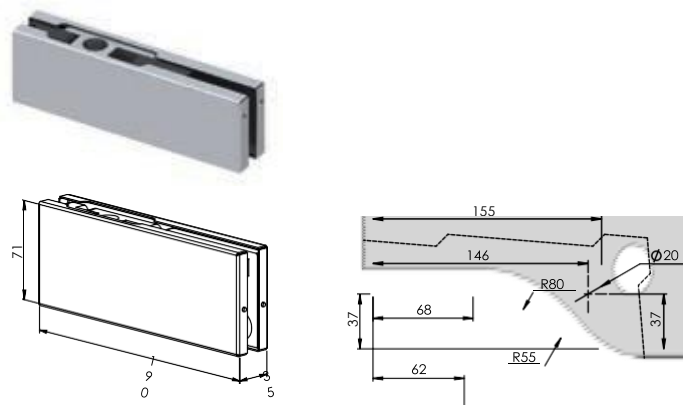
Door Opening Angle Maximum: 105°
 Closing Speed: 90° - 25°
 Latching Speed: 25° - 0°
 Maximum Door Weight: 100kg
 Maximum Door Width: 1000mm
 Glass thickness: 8, 10 and 12mm
 Available in: Brushed or Polished



TOP CORNER PATCH (SP620)

DESCRIPTION

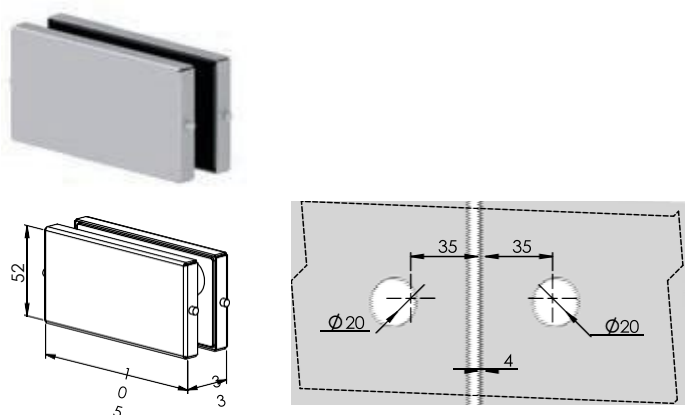
With plastic bushing for Ø15 mm pin
 Adjustable Pivot (55/65mm)
 Glass thickness: 8, 10, 12 and 15mm
 Internal Body Material: Aluminium
 Cover Plate Material: S/S 304
 Available in: Brushed or Polished
 Includes Pivot Pin (SP24)



180° GLASS TO GLASS CONNECTOR (SP72)

DESCRIPTION

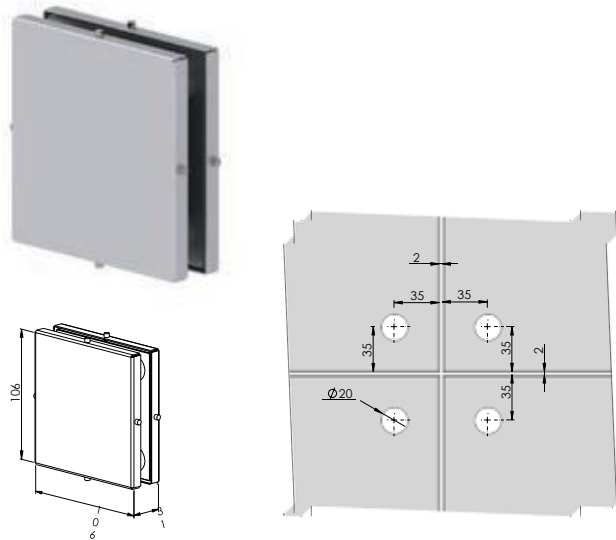
Glass thickness: 8, 10, 12 and 15mm
 Internal Body Material: Aluminium
 Cover Plate Material: S/S 304
 Available in: Brushed or Polished



4 PANEL CONNECTOR OF GLASS (SP80)

DESCRIPTION

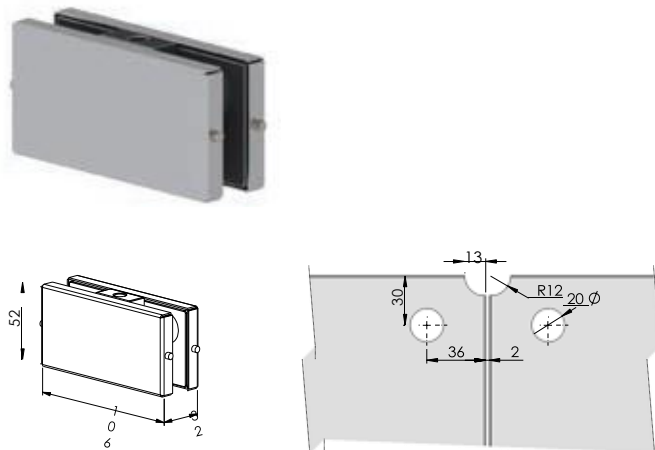
Glass thickness: 8, 10, 12 and 15mm
 Internal Body Material: Aluminium
 Cover Plate Material: S/S 304
 Available in: Brushed or Polished



90° GLASS TO WALL CONNECTOR 2 HOLES (SP84)

DESCRIPTION

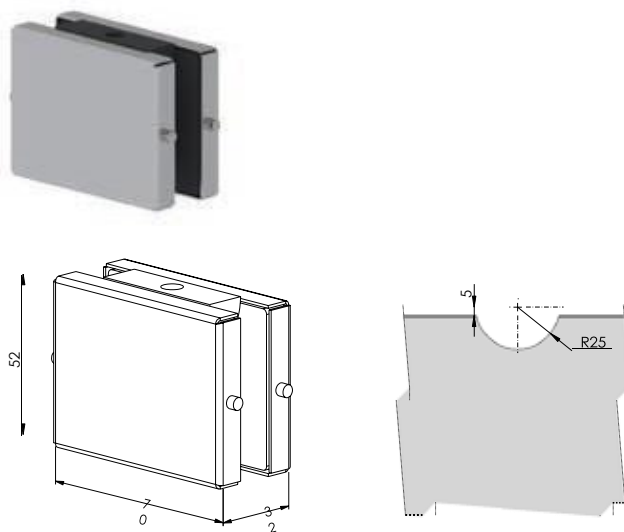
Glass thickness: 8, 10, 12 and 15mm
 Internal Body Material: Aluminium
 Cover Plate Material: S/S 304
 Available in: Brushed or Polished



90° WALL TO GLASS CLAMP (SP90)

DESCRIPTION

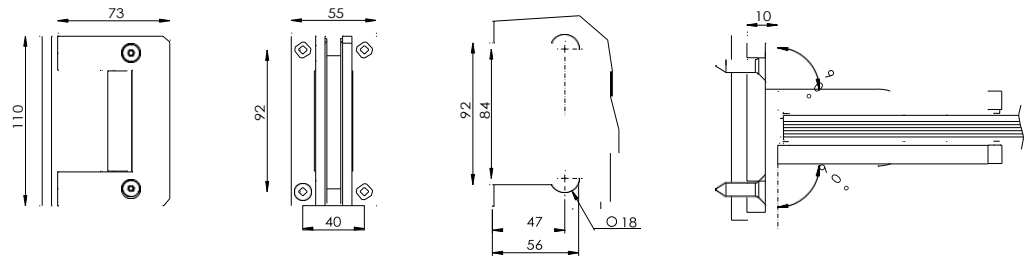
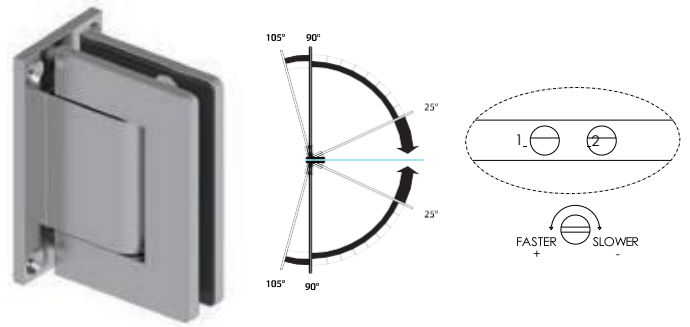
Glass thickness: 8, 10, 12 and 15mm
 Internal Body Material: Aluminium
 Cover Plate Material: S/S 304
 Available in: Brushed or Polished



90° WALL TO GLASS HYDRAULIC DOOR HINGE (PAIR)

DESCRIPTION

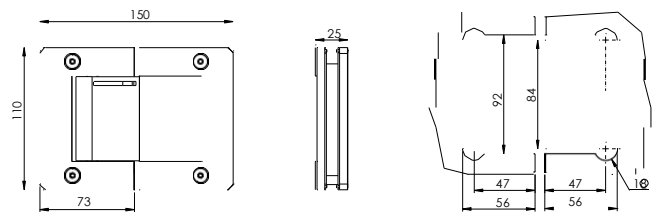
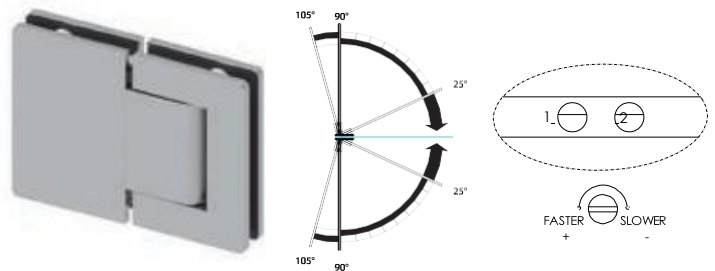
- Glass thickness: 8, 10 and 12mm
- Material: S/S 316
- Available in: Brushed Stainless Steel
- Maximum Door Weight: 60kg
- Maximum Door Width: 1000mm
- Maximum Door Height: 2400mm
- Hold Open: 90°
- Closing Speed: 65° - 35°
- Latching Speed: 35° - 0°



180° GLASS TO GLASS HYDRAULIC DOOR HINGE (PAIR)

DESCRIPTION

- Glass thickness: 8, 10 and 12mm
- Material: S/S 316
- Available in: Brushed Stainless Steel
- Maximum Door Weight: 60kg
- Maximum Door Width: 1000mm
- Maximum Door Height: 2400mm
- Hold Open: 90°
- Closing Speed: 65° - 35°
- Latching Speed: 35° - 0°

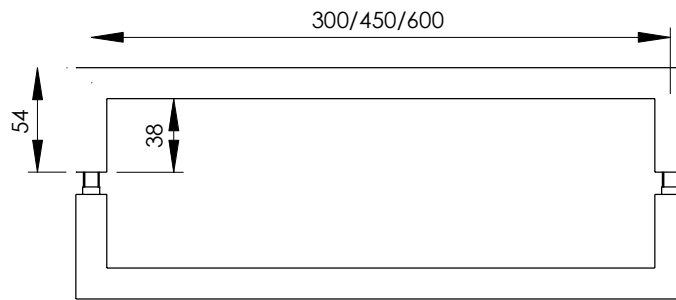


shopfront handles

PULL HANDLES

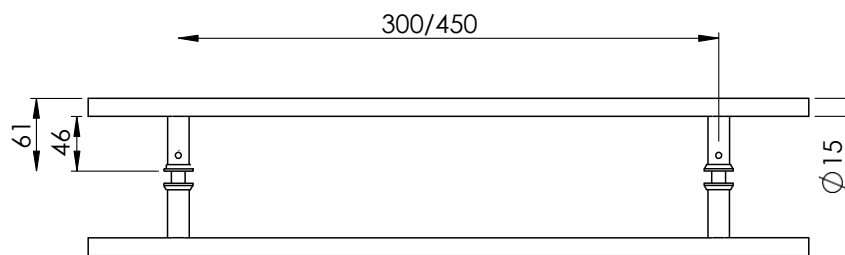
SQUARE PULL HANDLE

Code	CTC of Holes	Hole Size	Tube Size	Materia	Finish
PHS-300S	300mm	12 \emptyset	16mm	S/S 304	Brushed
PHS-450S	450mm	12 \emptyset	16mm	S/S 304	Brushed
PHS-600S	600mm	12 \emptyset	16mm	S/S 304	Brushed



OVAL T PULL HANDLE

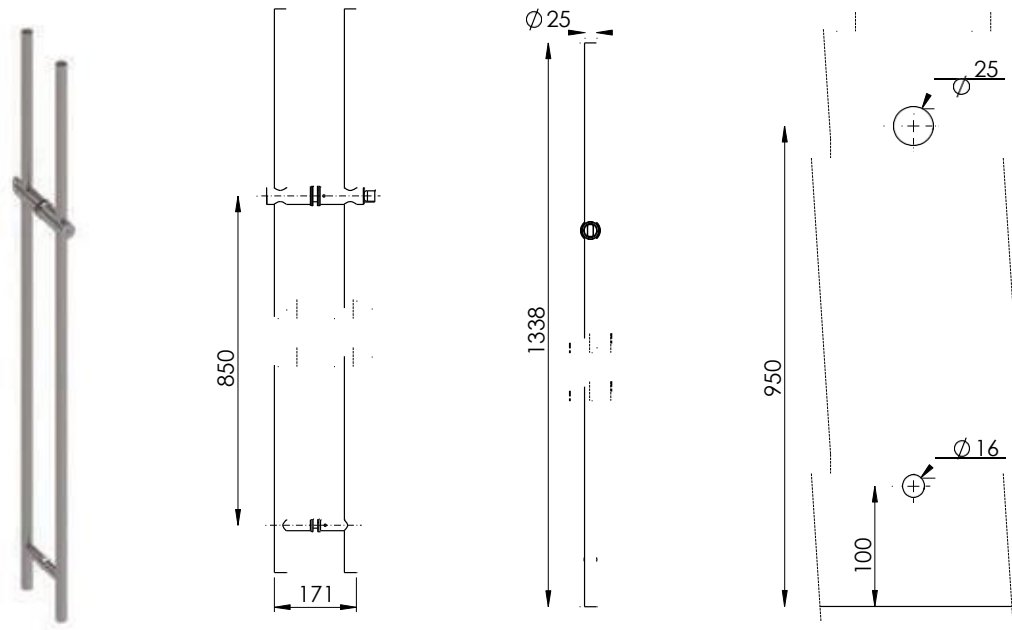
Code	CTC of Holes	Hole Size	Tube Size	Materia	Finish
PHT-300S	300m	14 \emptyset	19m	S/S 304	Brushe
PHT-450S	m	14 \emptyset	m		d



LOCKING LADDER PULL HANDLES

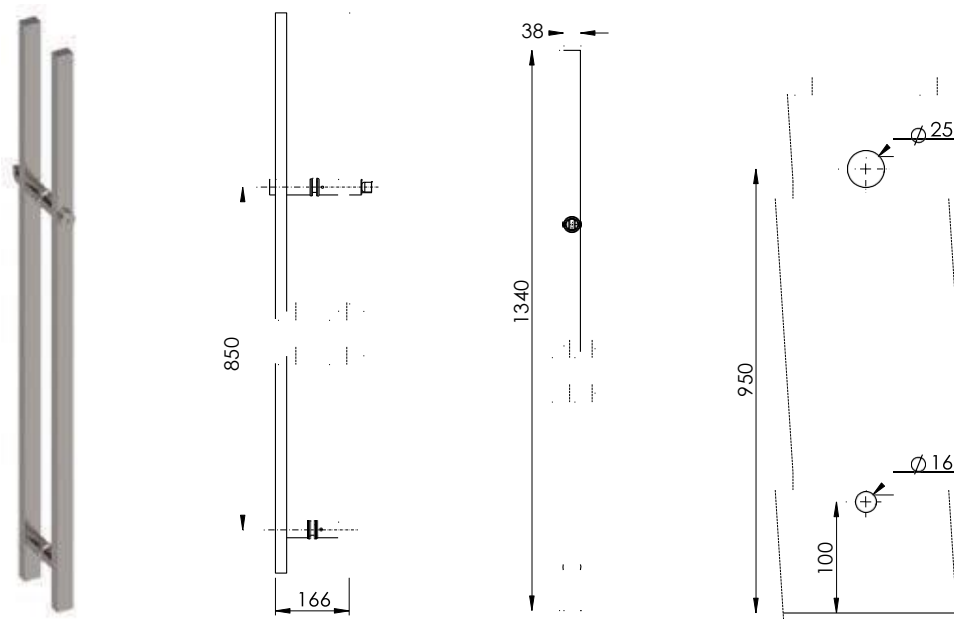
SQUARE LOCKING LADDER PULL HANDLE

Code	CTC of Holes	Material	Finish
LPHS-850S	850mm	S/S 304	Brushed



ROUND LOCKING LADDER PULL

Cod	CTC of Holes	Material	Finish
LPHR-850S	850m	S/S 304	Brushe





easy slider

The exposed mechanism of this system gives it a modern industrial look. With the option to mount to glass or to a wall this is the ideal slider to use for entrances, especially for offices and room divisions.

EASY SLIDER

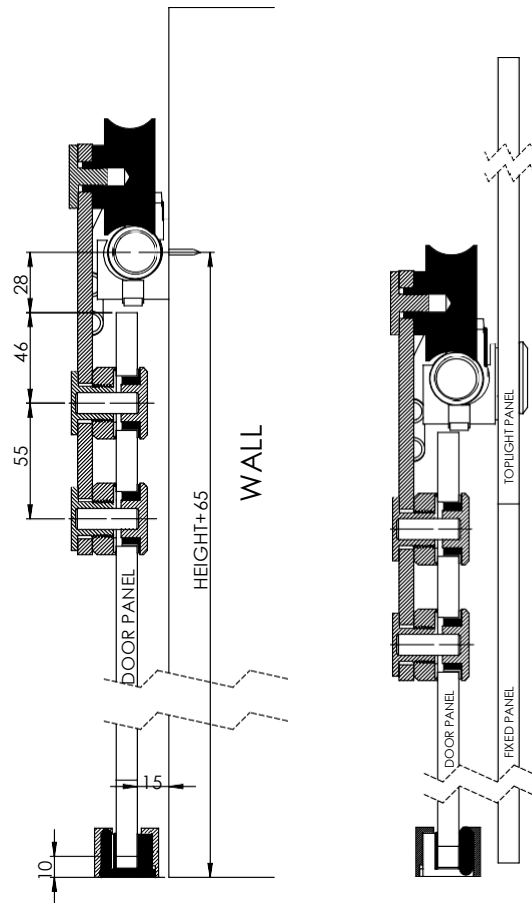
Specifications

- Glass Thickness: 10-12mm
- Max Door Width: 1100
- Max Door Height: 2600
- Max Door Weight: 100kg
- Material: S/S 304
- Finish: Brushed

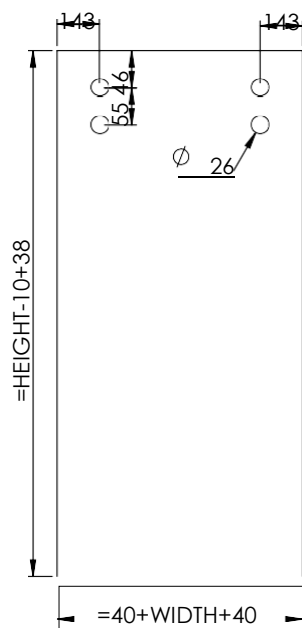
COMPONENTS



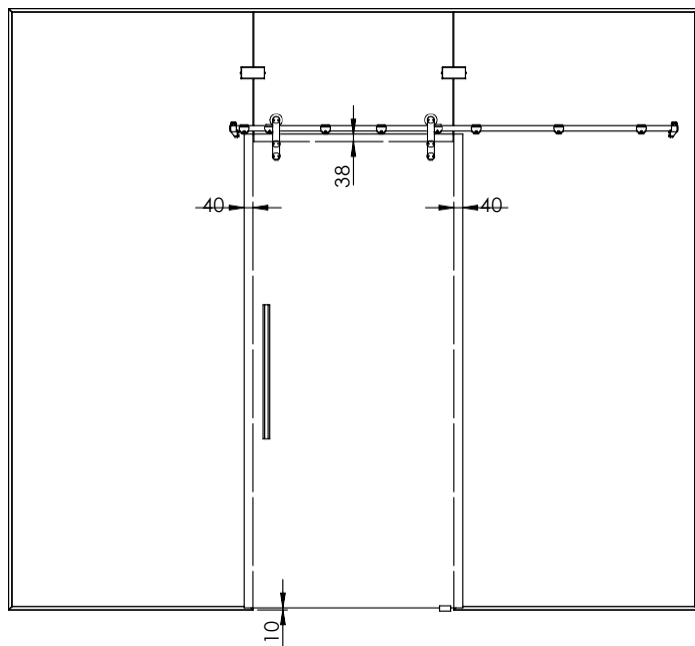
SHOP DRAWINGS



GLASS CUT OUT DETAILS



OVERVIEW



clearview



For a stunning view of the surroundings the Clearview system offers an unobstructed barrier that can open fully. This is ideal for internal use or for undercover patios and can even be used for stacking windows in a separated outside area.

SLIDING FOLDING - CLEARVIEW

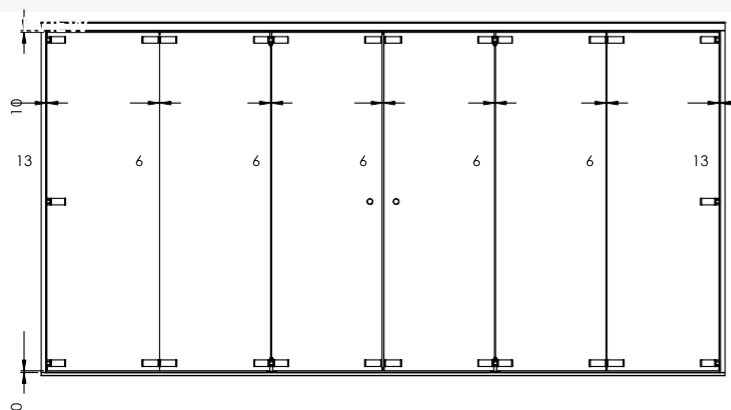
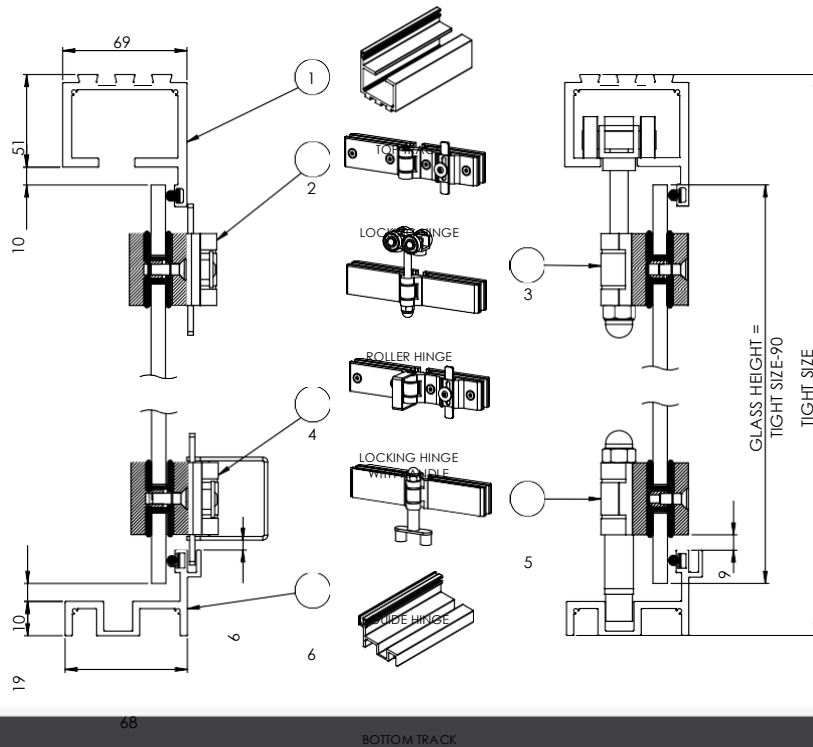
Specifications

- Glass Thickness: 8 - 10mm
- Max Door Height: 8mm Glass: 2.4m
10mm Glass: 3m
- Third Hinges required at 2.4m high
- Top Hung rollers
- Floor Track Options: Recessed U-Channel
Step Down Track
- Finish: Tracks: Mill
Hardware: Natural Light Grey Powder coat
- Material: Aluminium
- Max recommended leaves stacked to one side: 7
- Leading door can operate independently
- Slide bolt locking mechanism

COMPONENTS

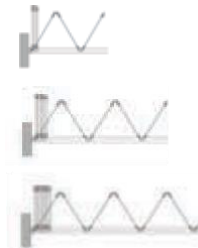


SHOP DRAWINGS

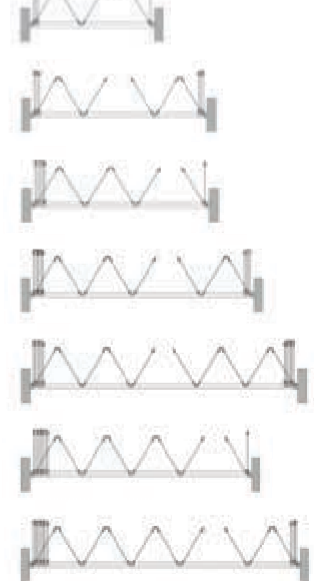


FOLDING OPTIONS

Single Stack

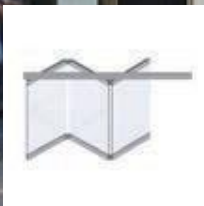


Double Stack



arena

The newest addition to the TIMBERWORLD family, this system is a industrial grade stacking system designed to hold large and heavy doors and create large expansive openings that can be completely opened. Ideal for use in shopping centres.



SLIDING STACKING - AREMA

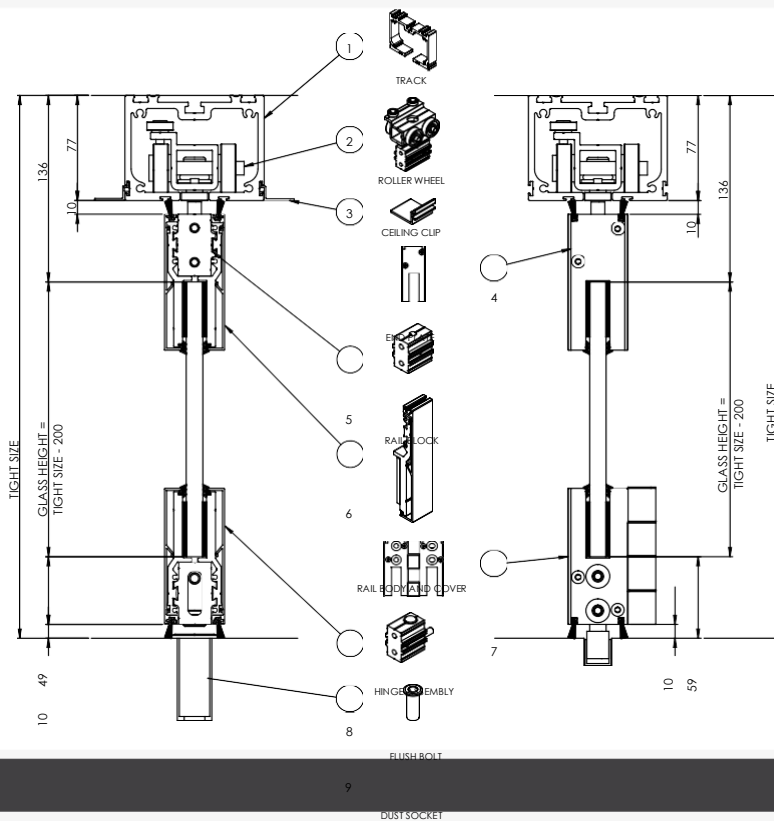
Specifications

- Glass Thickness: 10 - 15 mm
- Max Panel Width: 1200mm
- Max Panel Height: 3500mm
- Max Panel Weight: 150kg
- Rail Components with interlocking dovetail design.
- Glass Rail with bolt through fittings
- Soffit bracket allows for suspended installation
- Pivot Set (Stacking option)
- Top Hung Rollers
- Various stacking options for unique situations
- Finish available in bronze, charcoal, white and matt black powder coat.

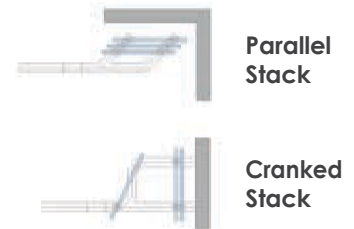
COMPONENTS



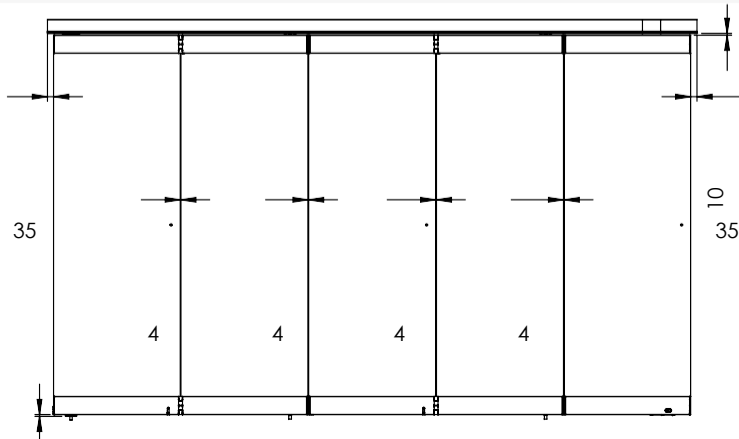
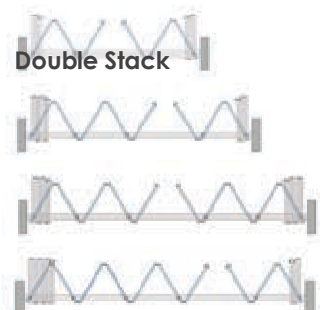
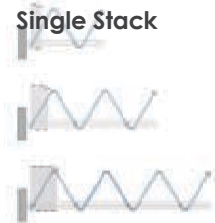
SHOP DRAWINGS



STACKING OPTIONS



FOLDING



clearshield

ORDINARY
GLASS

CLEARSHIELD
ECO-GLASS®

Hard water creates unsightly and resistant water spots on unprotected glass. The limescale from the hard water etches the surface of the glass, and high levels of humidity accelerates the corrosion process. The build-up of dirt facilitates the development of bacteria. Cleaning becomes very hard - if not impossible - no matter how hard one tries, wasting much time and effort. The appearance of the glass can become completely spoiled, and even unhygienic.



Benefits

- Resists limescale build-up and water spots.
- Is always easier to clean and keep clean, saving time and effort.
- Maintains pristine appearance.
- Hinders bacterial growth for a more hygienic environment.

The ClearShield® protection is effective in a multitude of environments because it resists limescale and is independently proven to have hygienic properties. It ensures that architectural glass remains as clean and shiny as the day it was bought, with the least possible effort.

YIELDS FOR CLEARSHIELD CHEMICALS

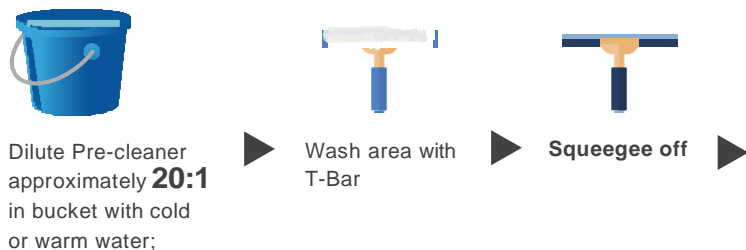
Product	Dilution Ratio	Yield (sqm/500ml)
*Glass Protect FI	No Dilution	50
*Neutralizer FI	No Dilution	50
Sandblast Glass Protect	No Dilution	13
Pre-Cleaner concentrate	20:01	65
Clean All concentrate	20:01	65
Limescale Remover	No Dilution	25

* When treating large batch areas at a time

CLEARSHIELD APPLICATION TO PROTECT CLEAR GLASS

SUMMARY VERSION: There are No shortcuts. EVERY step needs attention.

1. PRE-CLEANER



DO A WATER FLATTENING TEST:

If OK: Rinse with clean water, squeegee dry, including frames, and go to #2.

If NO: Repeat # 1, but you can add some pre-cleaner concentrate directly onto the T-Bar.

Agitate the surface, keeping it wet/ moist; check for **water flattening**.

If flattening, move to #2 after rinsing.

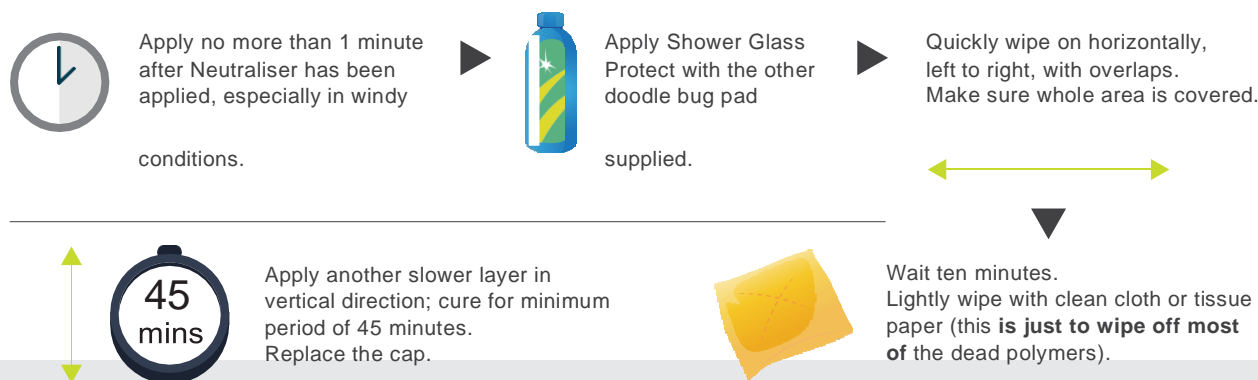
- ! After rinsing and squeegeeing down, ensure all edges are **completely dry !!**
- Move all the pre-cleaner and wet T-Bars etc. away from the glass now.

2. NEUTRALISER

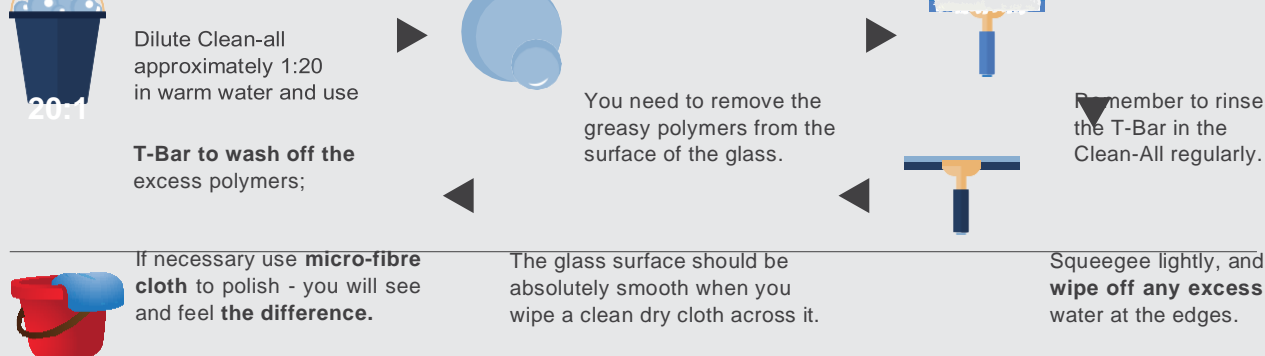


* Don't delay with this. It is straight forward and quick.

3. SHOWER GLASS PROTECT



4. CLEAN-ALL



*Please wash the cloths provided in fresh, clean warm diluted Clean-All, rinse in clean water and dry very well. Store them in a clean environment for the next application.



vitrocoat

Vitrocoat is a chemical adhesion promoter that allows for the durable and economical back painting of glass. Popular architectural applications for coloured glass include showers, kitchen splash-backs, worktops, wall cladding & ceiling panels. Glass is a practical and hygienic surface for cleaning. Consider complementing your coloured glass project with our Clearshield non-stick surface technology for even easier maintenance and durability.



Vitrocoated glass can be cut, drilled and edge polished without chipping the coating. Furthermore, Vitrocoated glass can be bonded to most substrates with commonly available building adhesives, without the risk of solvent attack. The system involves the use of readily available two part paints, together with Vitrocoat in one simple application.



Glass treated with the Vitrocoat system is resistant to:

- **Water** - can be used in wet areas such as kitchens & bathrooms.
- **Abrasion** - The coating has high adhesion and toughness.
- **UV** - samples have been exposed to accelerated UV exposure tests without any detectable change.

“Vitrocoated” glass has been rigorously tested to international standards of performance. ASTM test results from internationally reputed laboratories are available on request.

